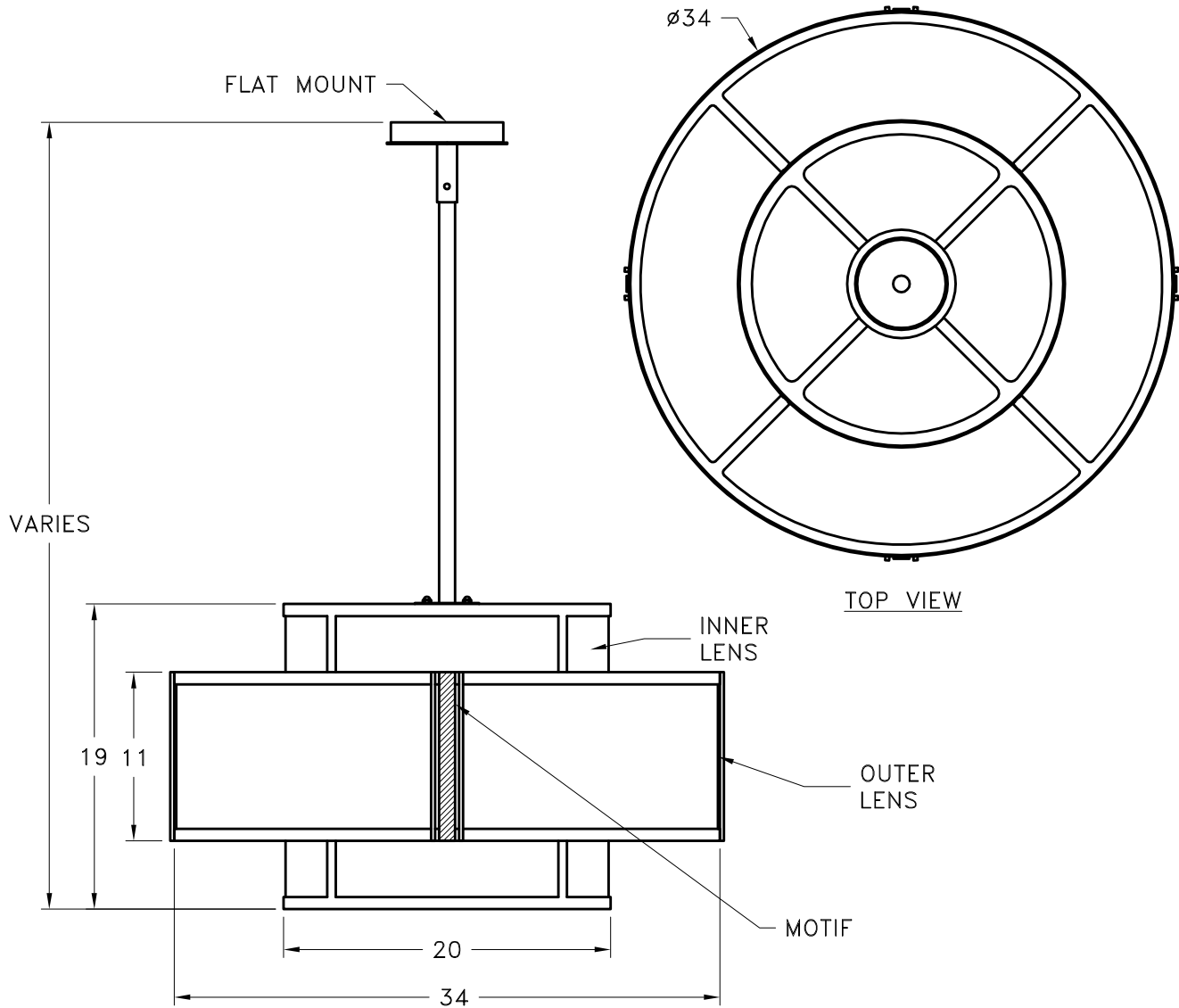
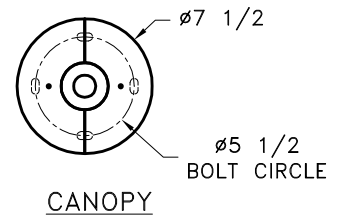


Location:

Product #: CH2213



Visit [hammerton.com](http://hammerton.com) for product options and specifications.

Mounting Style: A

Electrical Type: INCANDESCENT

Approximate lbs.: 50

Bulb Qty: 6 Wattage: 60

Finish: SEE WEB SITE FOR OPTIONS

Voltage: 120

Top Diffuser: OPEN

Socket Type: MEDIUM

Bottom Diffuser: SAME AS LENS

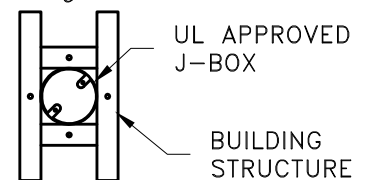
UL Location: DRY

All fixtures created by Hammerton are handcrafted by artisans. Dimensions may vary up to  $\frac{7}{8}$ ".

©Copyright 2012. All rights in design, detail or invention of this drawing are reserved as the property of Hammerton. Any imitation or adaptation without written consent is strictly prohibited.

Hammerton Inc. • 217 Wright Brothers Dr. • Salt Lake City, UT 84116 • (801) 973-8095

Mounting Detail



**CAUTION**  
HARDWARE PACKET "A"  
MOUNTS DIRECTLY TO  
BUILDING STRUCTURE.