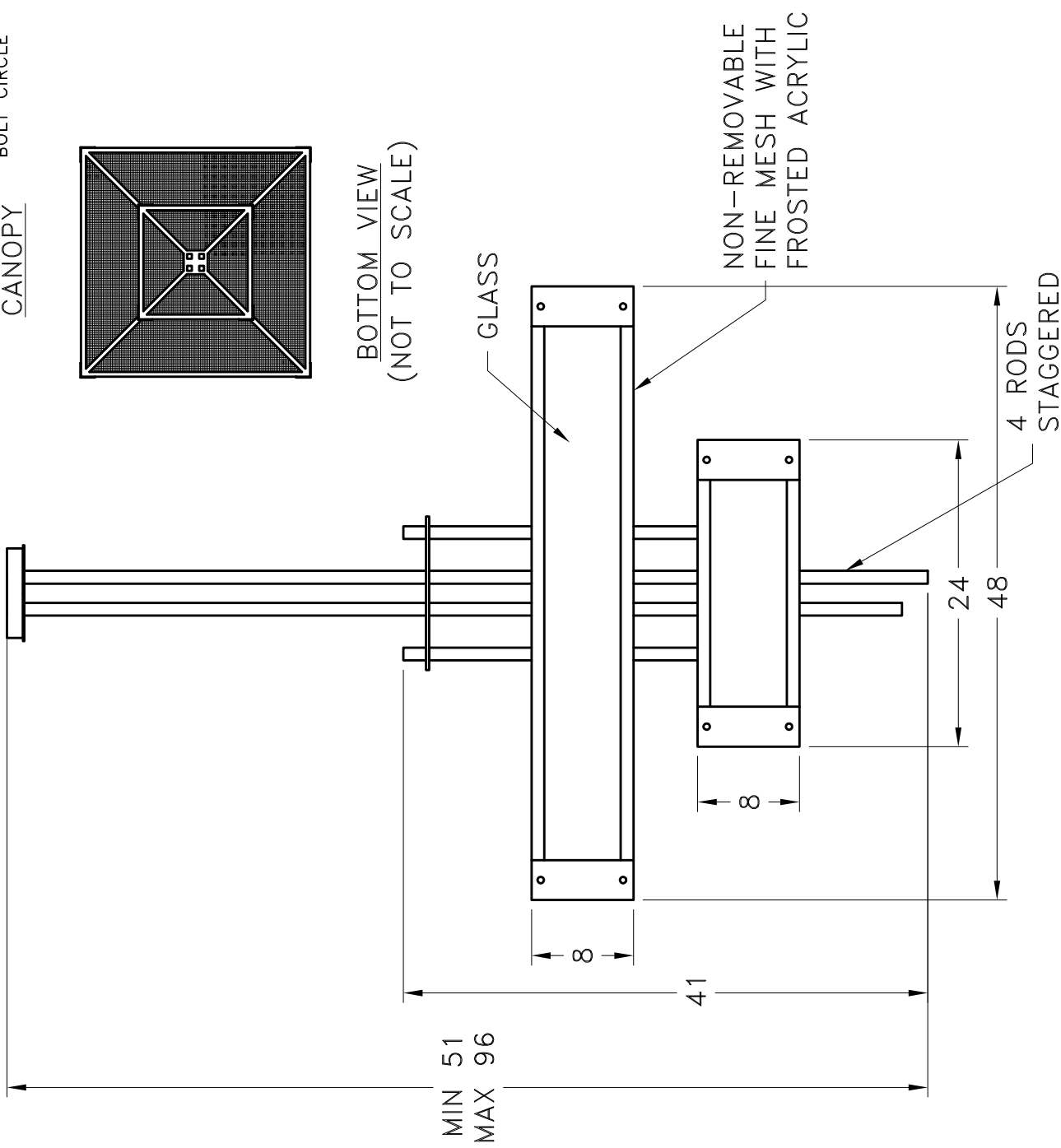
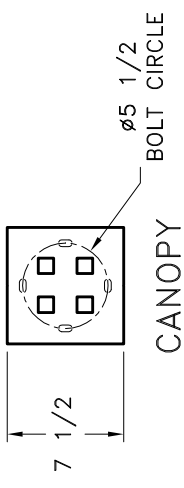


# HAMMERTON

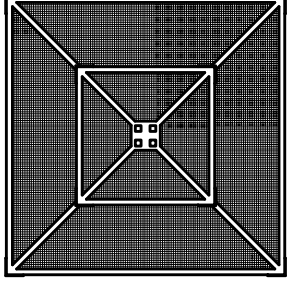
## SPECIFICATION DRAWING

Location:

Product #: CHA2162



BOTTOM VIEW  
(NOT TO SCALE)



Visit [hammertron.com](http://hammertron.com) for product options.

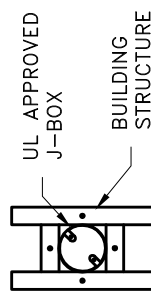
Mounting Packet: A	Electrical Type: INCANDESCENT
Approximate lbs.: 400	Bulb Qty: 12 Wattage: 75
Finish: SEE WEB SITE FOR OPTIONS	Voltage: 120
Top Diffuser: FINE MESH	Socket Type: E26
Bottom Diffuser: SEE NOTE	UL Location: DRY

All fixtures created by Hammerton are handcrafted by artisans. Dimensions may vary up to 7/8".

©Copyright 2018. All rights in design, detail or invention of this drawing are reserved as the property of Hammerton. Any imitation or adaptation without written consent is strictly prohibited.

Hammerton Inc. · 217 Wright Brothers Dr. · Salt Lake City, UT 84116 · (801) 973-8095

Mounting Detail



**CAUTION**  
HARDWARE PACKET "A"  
MOUNTS DIRECTLY TO  
BUILDING STRUCTURE.