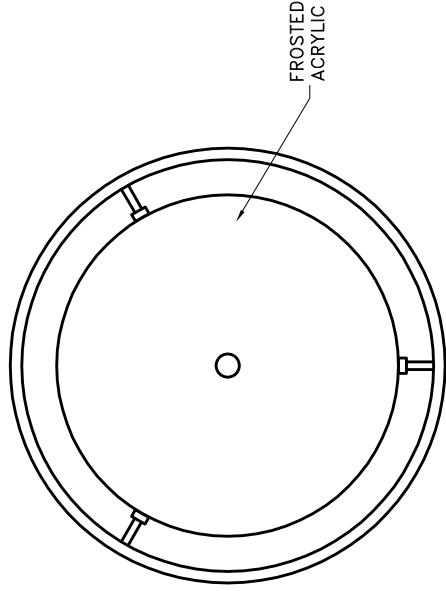
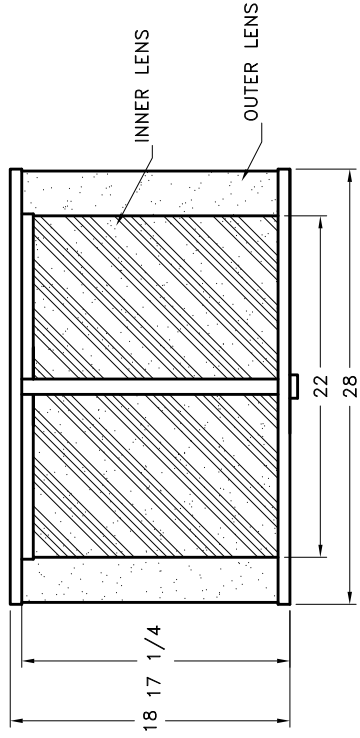
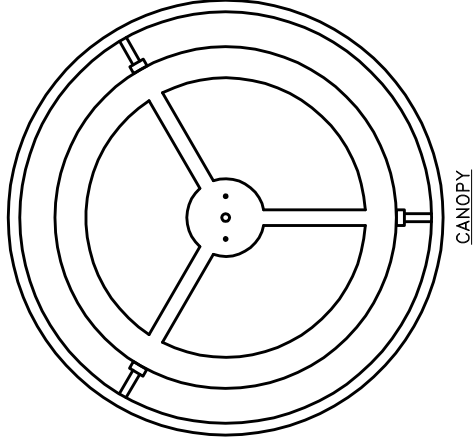


# HAMMERTON

## SPECIFICATION DRAWING

Location:

Product #: CL2308



Visit [hammerton.com](http://hammerton.com) for product options.

Mounting Packet: J	Electrical Type: INCANDESCENT	Mounting Detail
Approximate lbs.: 30	Bulb Qty: 4 Wattage: 60	<p>2<sup>3</sup>/<sub>4</sub> O.C.</p> <p>UL-APPROVED J-BOX</p> <p><b>CAUTION</b> HARDWARE PACKET "J" MOUNTS DIRECTLY TO J-BOX.</p>
Finish: SEE WEB SITE FOR OPTIONS	Voltage: 120	
Top Diffuser: N/A	Socket Type: E26	
Bottom Diffuser: FROSTED ACRYLIC	UL Location: DRY	

All fixtures created by Hammerton are handcrafted by artisans. Dimensions may vary up to 7/8".

©Copyright 2018. All rights in design, detail or invention of this drawing are reserved as the property of Hammerton. Any imitation or adaptation without written consent is strictly prohibited.

Hammerton Inc. · 217 Wright Brothers Dr. · Salt Lake City, UT 84116 · (801) 973-8095