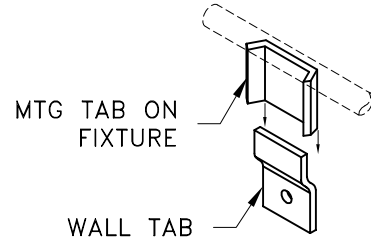
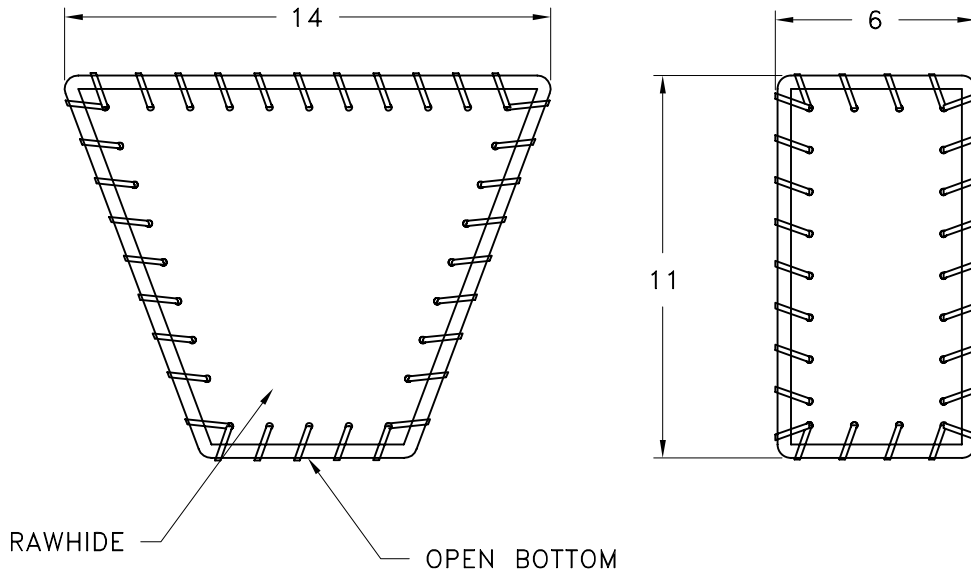


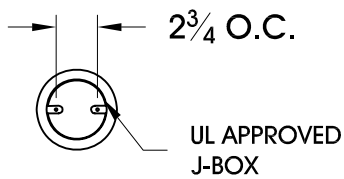
# HAMMERTON



MOUNTING DETAIL

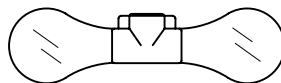


**MOUNTING SPECIFICATION NOTES:**



**CAUTION**  
HARDWARE PACKET "E" MOUNTS  
DIRECTLY TO J-BOX.

**ELECTRICAL SPECIFICATION NOTES:**



**ELECTRICAL: 2-75 WATT MAX**  
**EDISON BASE**  
**120v TYPICAL**

Light Bulb NOT Included

**CATALOG # CS5016**

**APPROXIMATE WEIGHT: 4 Lbs.**

**HARDWARE PACKET: E**

**SHADE MATERIAL : RAWHIDE**

**UL RATING: DRY**

**DIMENSION TOLERANCE  $\pm 7/8"$ .**

[www.hammerton.com](http://www.hammerton.com)

© Copyright 2006, All rights in design, detail or invention of this drawing are reserved as the property of Hammerton. Any imitation or adaptation without written consent is strictly prohibited.