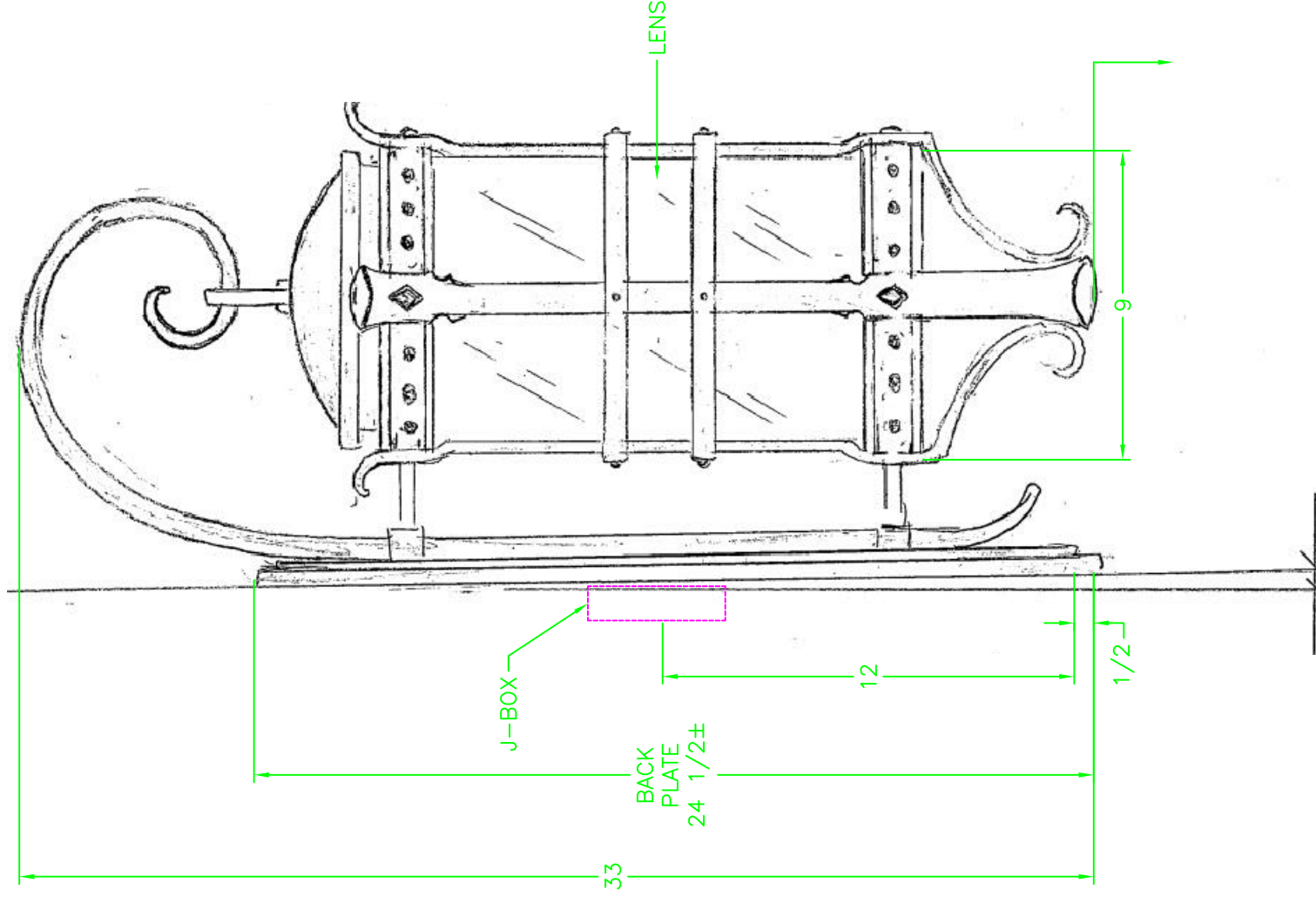


Approved By:

Product #: OD9281

Date: 7/13/2015



Finish: TBD

Electrical Type: INCANDESCENT

Mounting Style

Approximate lbs.: 40

Bulb Qty: 1 Wattage: 75

Top Diffuser: CLOSED STEEL CAP

Voltage: 120 Socket Type: MEDIUM

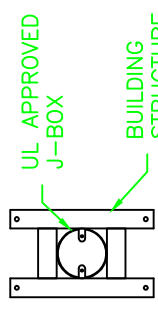
Bottom Diffuser: OPEN

UL Location: DAMP

All fixtures created by Hammerton are handcrafted by artisans—dimensions may vary.

©Copyright 2014. All rights in design, detail or invention of this drawing are reserved as the property of Hammerton. Any limitation or adaptation without written consent is strictly prohibited.

Hammerton.com · 217 Wright Brothers Dr. · Salt Lake City, UT 84116 · (801) 973-8095



CAUTION  
HARDWARE PACKET "C"  
MOUNTS DIRECTLY TO  
BUILDING STRUCTURE.