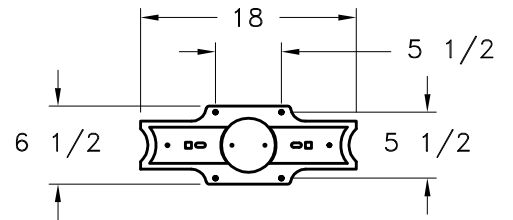
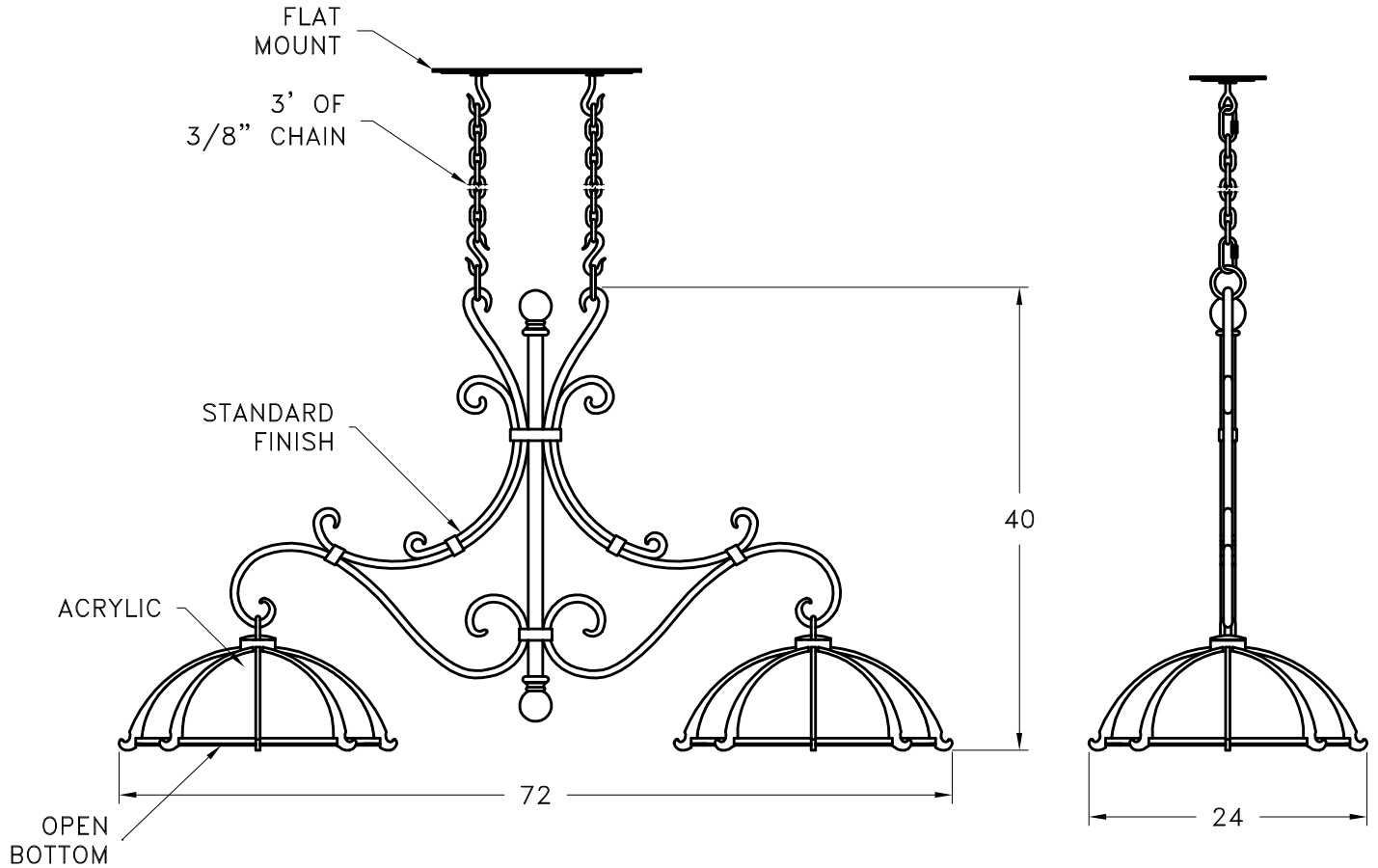


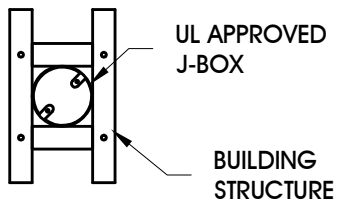
HAMMERTON



MOUNTING DETAIL
ADDITIONAL BLOCKING REQUIRED



MOUNTING SPECIFICATION NOTES:



CAUTION
HARDWARE PACKET "B" MOUNTS
DIRECTLY TO BUILDING STRUCTURE.

ELECTRICAL SPECIFICATION NOTES:



**ELECTRICAL: 4-100 WATT MAX
EDISON BASE
120v TYPICAL**

Light Bulb NOT Included

CATALOG # PL9123

APPROXIMATE WEIGHT: 180lbs.

HARDWARE PACKET: B

SHADE MATERIAL : ACRYLIC

UL RATING: DRY

DIMENSION TOLERANCE $\pm 7/8"$.

www.hammerton.com

© Copyright 2006, All rights in design, detail or invention of this drawing are reserved as the property of Hammerton. Any imitation or adaptation without written consent is strictly prohibited.