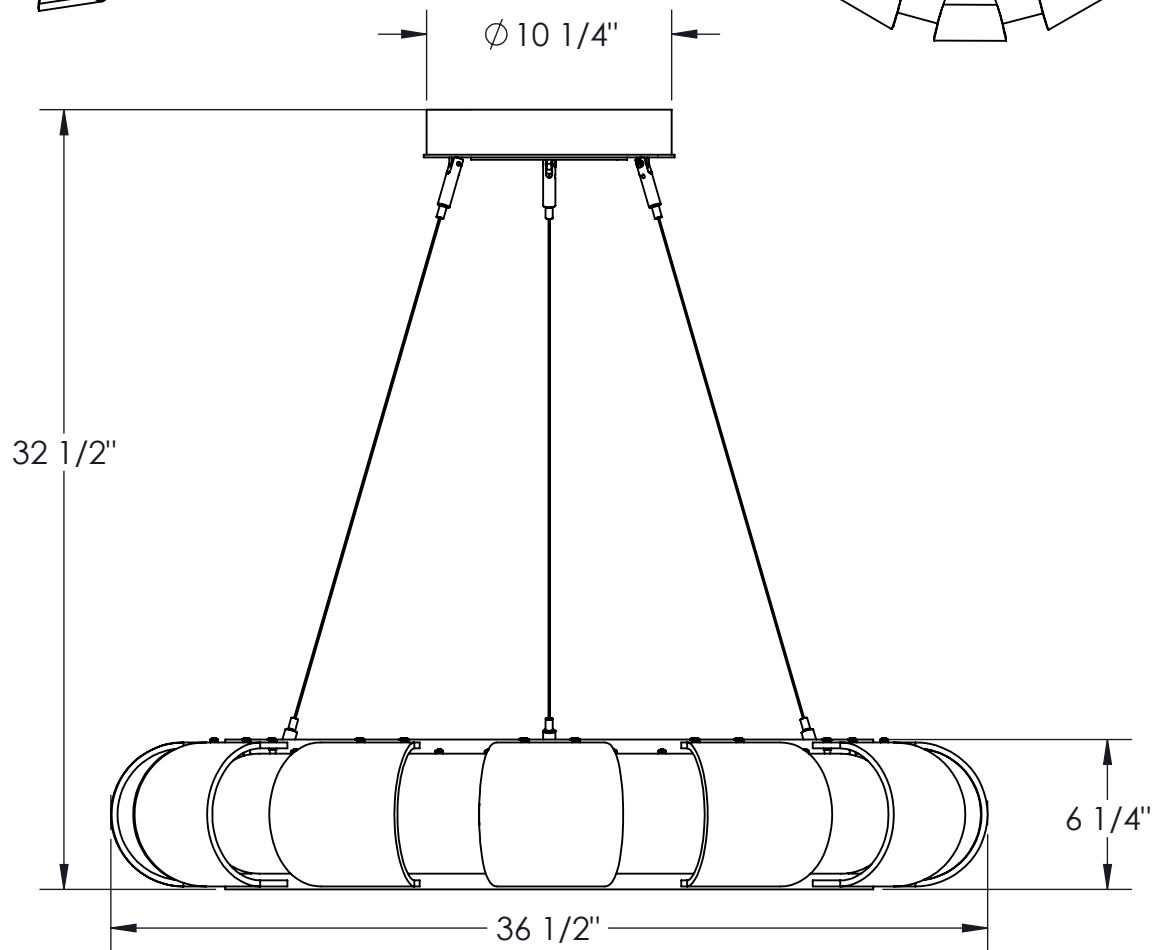
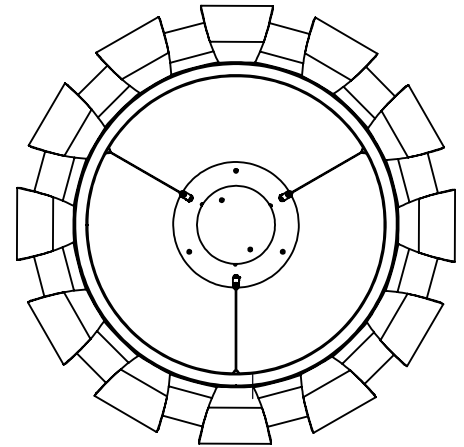
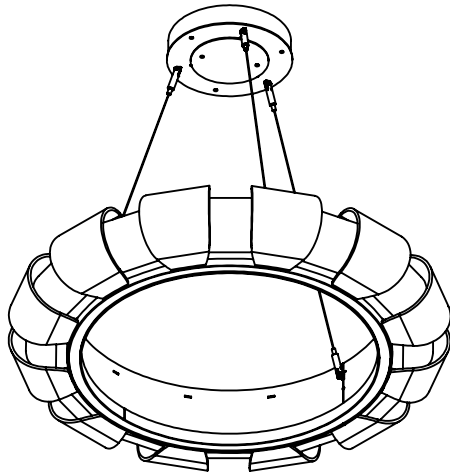


Approved By:

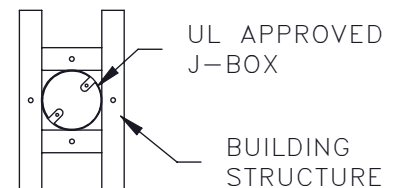
Product #: CHA2176-S

Date:10/9/2017



Mounting Style: FLAT	Electrical Type: LED
Approximate lbs.: 80	Bulb Qty: NA Wattage: 96
Finish: SEE WEBSITE	Voltage: 120
Top Diffuser: NA	Socket Type: NA
Bottom Diffuser: NA	UL Location: DRY

Mounting Detail



CAUTION
HARDWARE PACKET "A"
MOUNTS DIRECTLY TO BUILDING
STRUCTURE.

All fixtures created by Hammerton are handcrafted by artisans—dimensions may vary.

© Copyright 2015. All rights in design, detail or invention of this drawing are reserved as the property of Hammerton. Any imitation or adaptation without written consent is strictly prohibited.

Hammerton Inc. 217 Wright Brothers Dr. Salt Lake City, UT 84146 (801) 973-8095