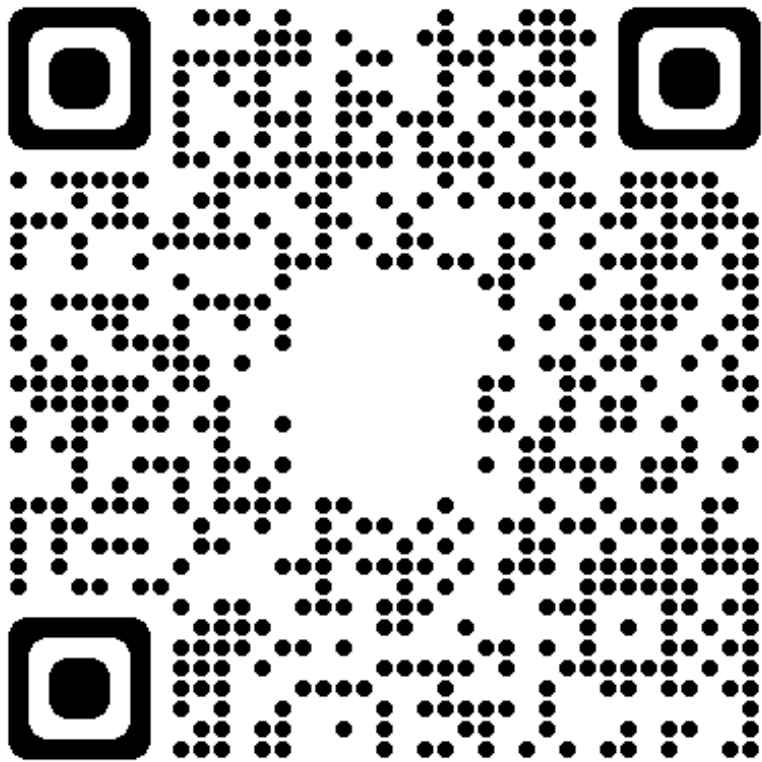
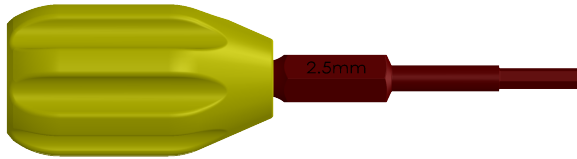


Pyrite Install



Installation Video

Included Tools



2.5mm Allen Driver
Glass Retention

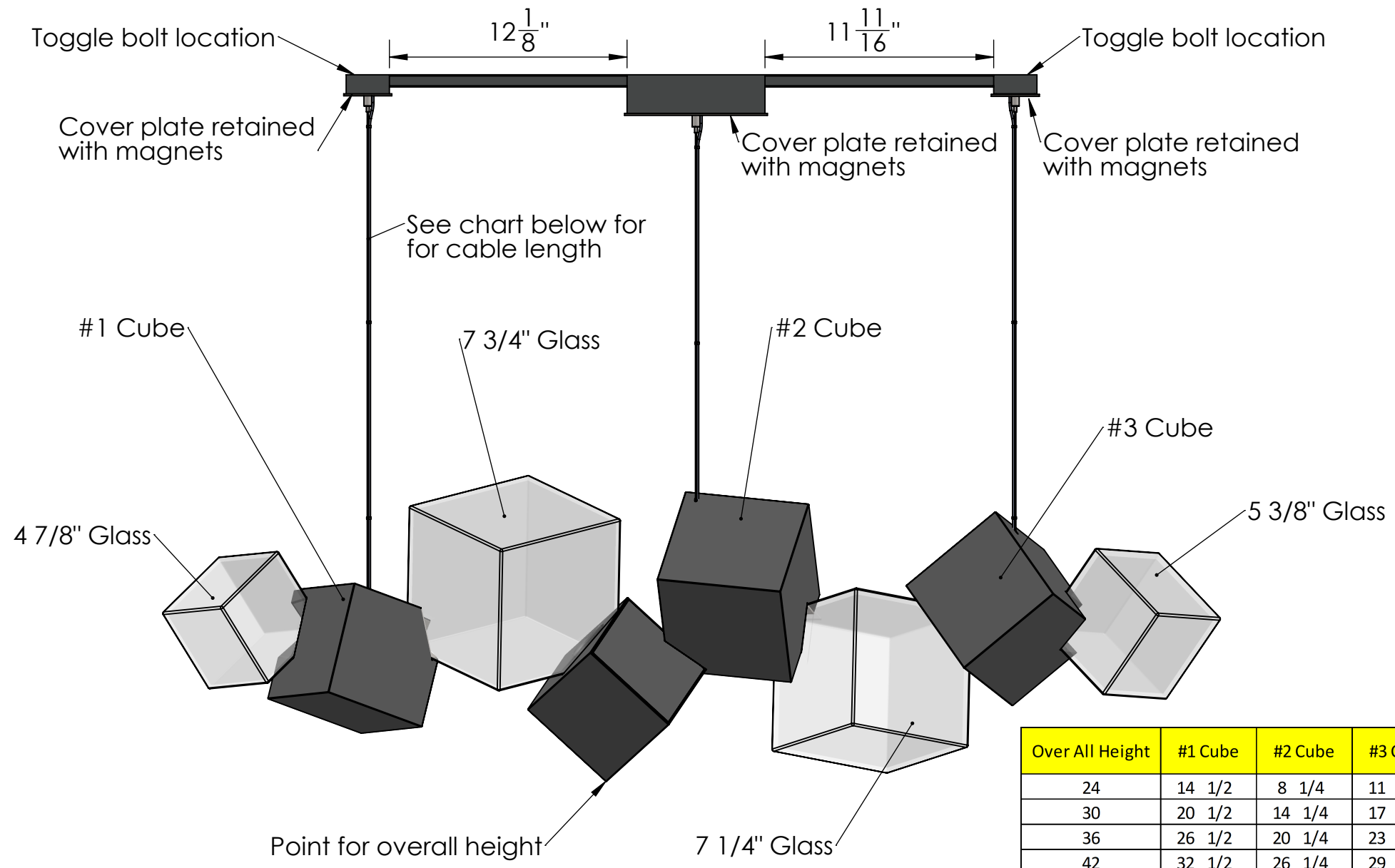


1 1/64" Wrench

Suggested Tool for Aircraft Cable



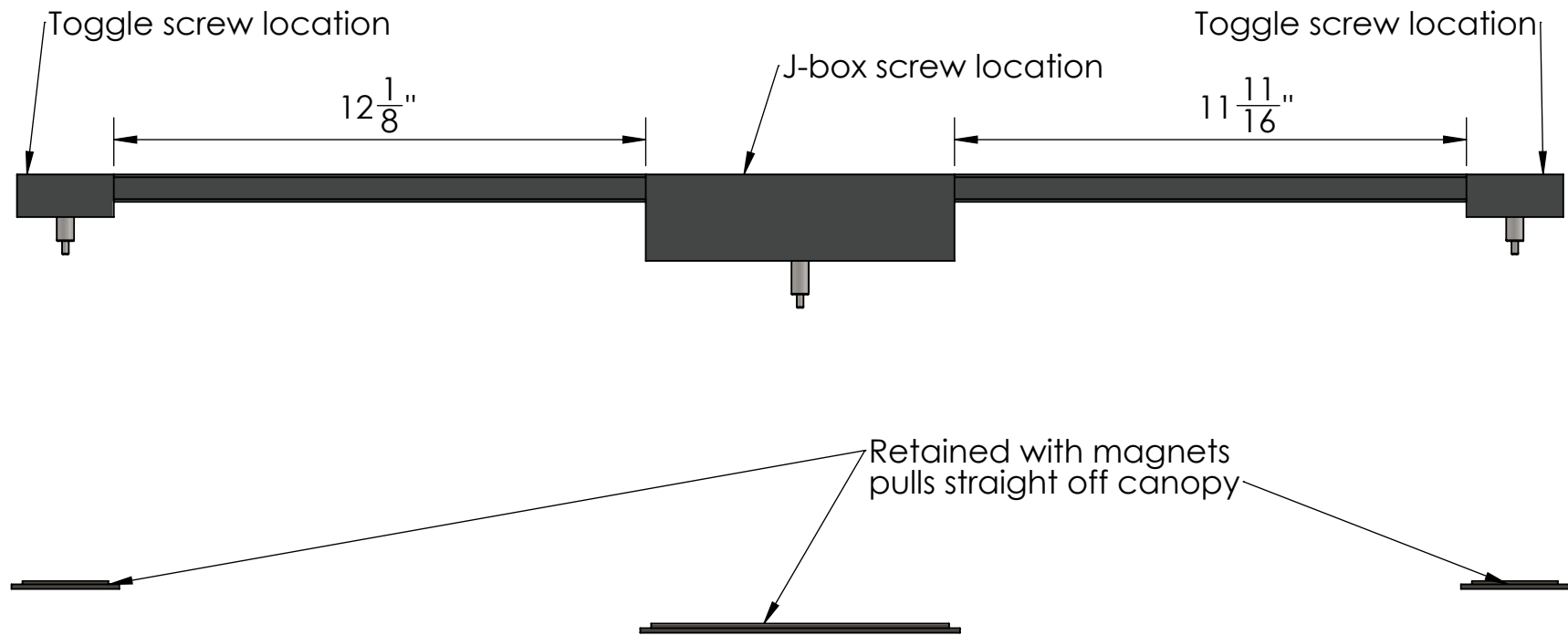
Cable Cutter
Park Tool CN-10



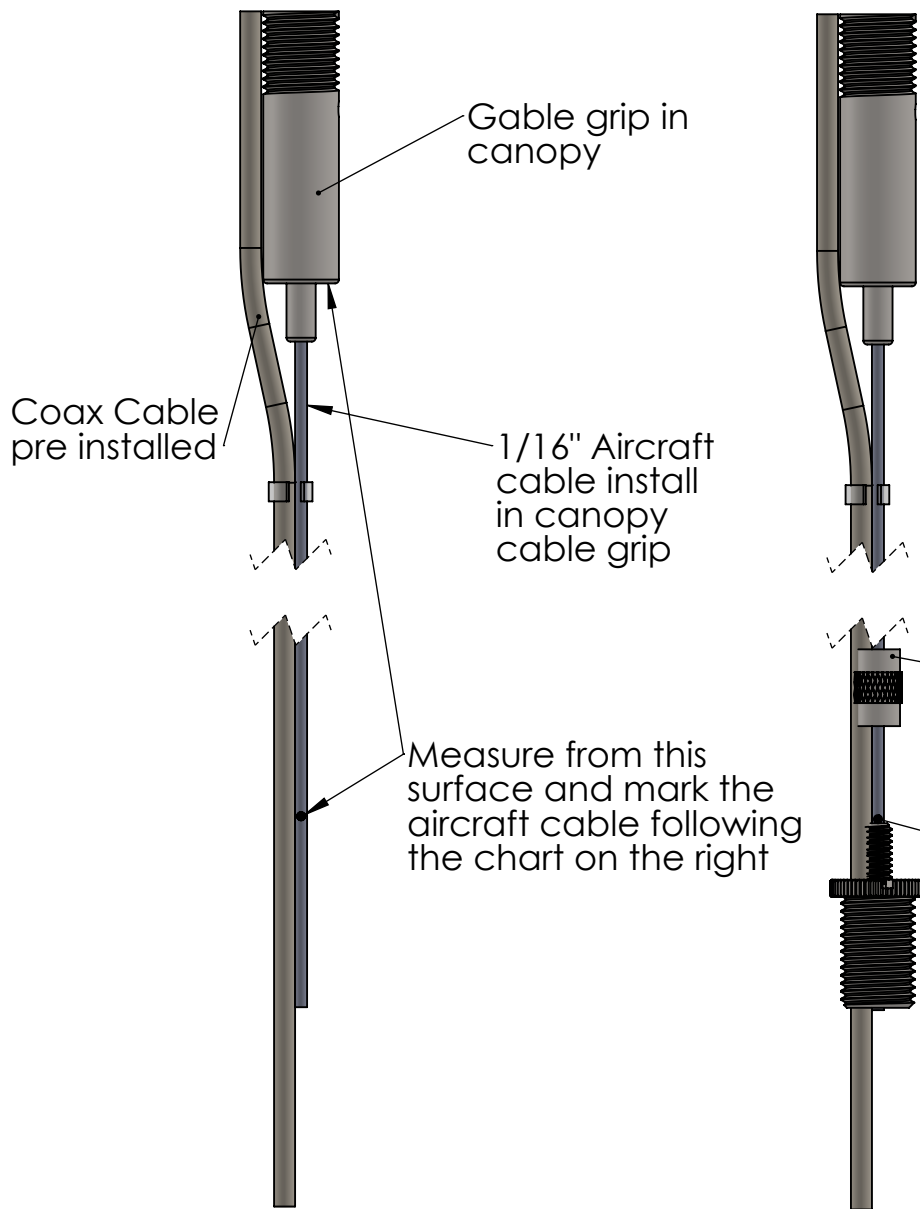
Over All Height	#1 Cube	#2 Cube	#3 Cube
24	14 1/2	8 1/4	11 1/4
30	20 1/2	14 1/4	17 1/4
36	26 1/2	20 1/4	23 1/4
42	32 1/2	26 1/4	29 1/4
48	38 1/2	32 1/4	35 1/4
54	44 1/2	38 1/4	41 1/4
60	50 1/2	44 1/4	47 1/4
66	56 1/2	50 1/4	53 1/4
72	62 1/2	56 1/4	59 1/4
78	68 1/2	62 1/4	65 1/4
84	74 1/2	68 1/4	71 1/4

*** see installation video for visual on assembly***

*** see installation video for visual on assembly***



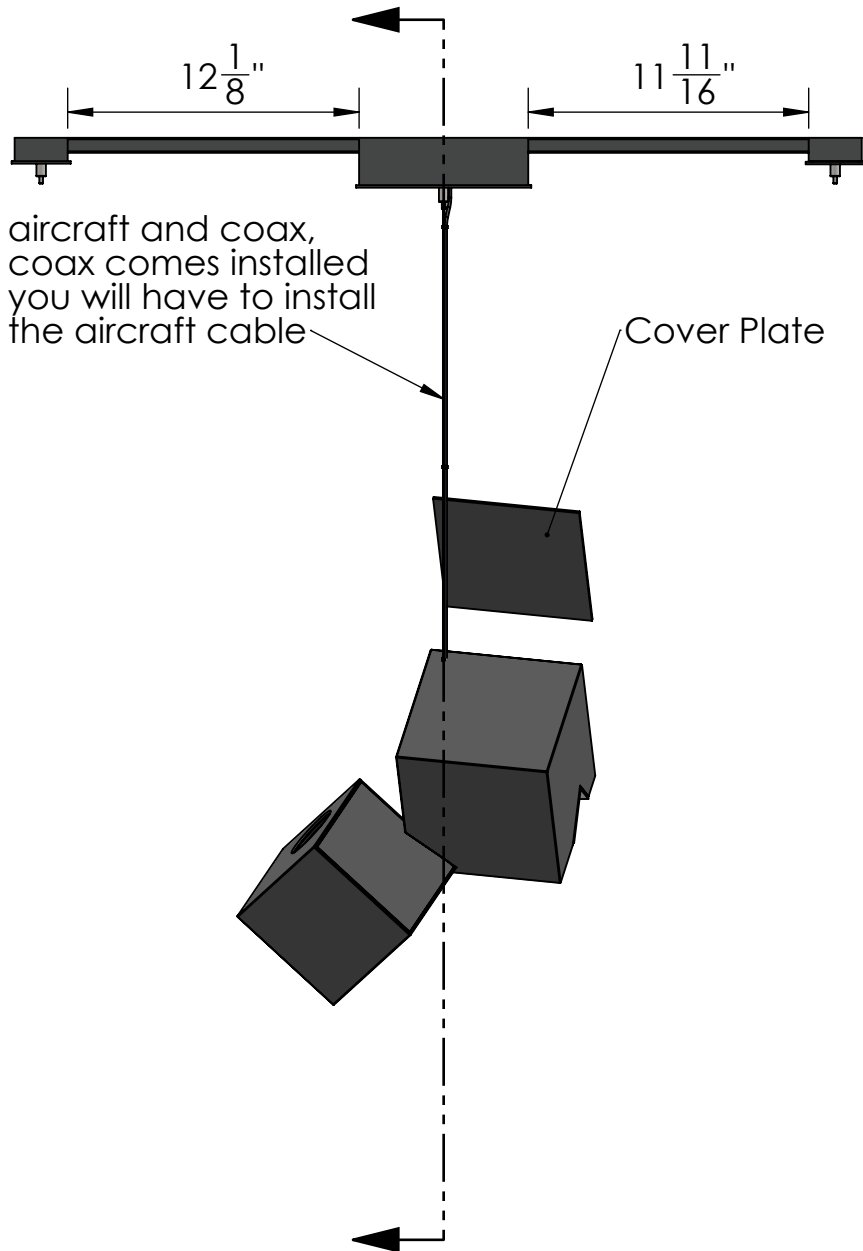
Note the direction you want the fixture to hang the tube lengths will make a difference in how the fixture hangs, After the canopy is installed and wired up verify the fixture lights up before proceeding.



Over All Height	#1 Cube	#2 Cube	#3 Cube
24	14 1/2	8 1/4	11 1/4
30	20 1/2	14 1/4	17 1/4
36	26 1/2	20 1/4	23 1/4
42	32 1/2	26 1/4	29 1/4
48	38 1/2	32 1/4	35 1/4
54	44 1/2	38 1/4	41 1/4
60	50 1/2	44 1/4	47 1/4
66	56 1/2	50 1/4	53 1/4
72	62 1/2	56 1/4	59 1/4
78	68 1/2	62 1/4	65 1/4
84	74 1/2	68 1/4	71 1/4

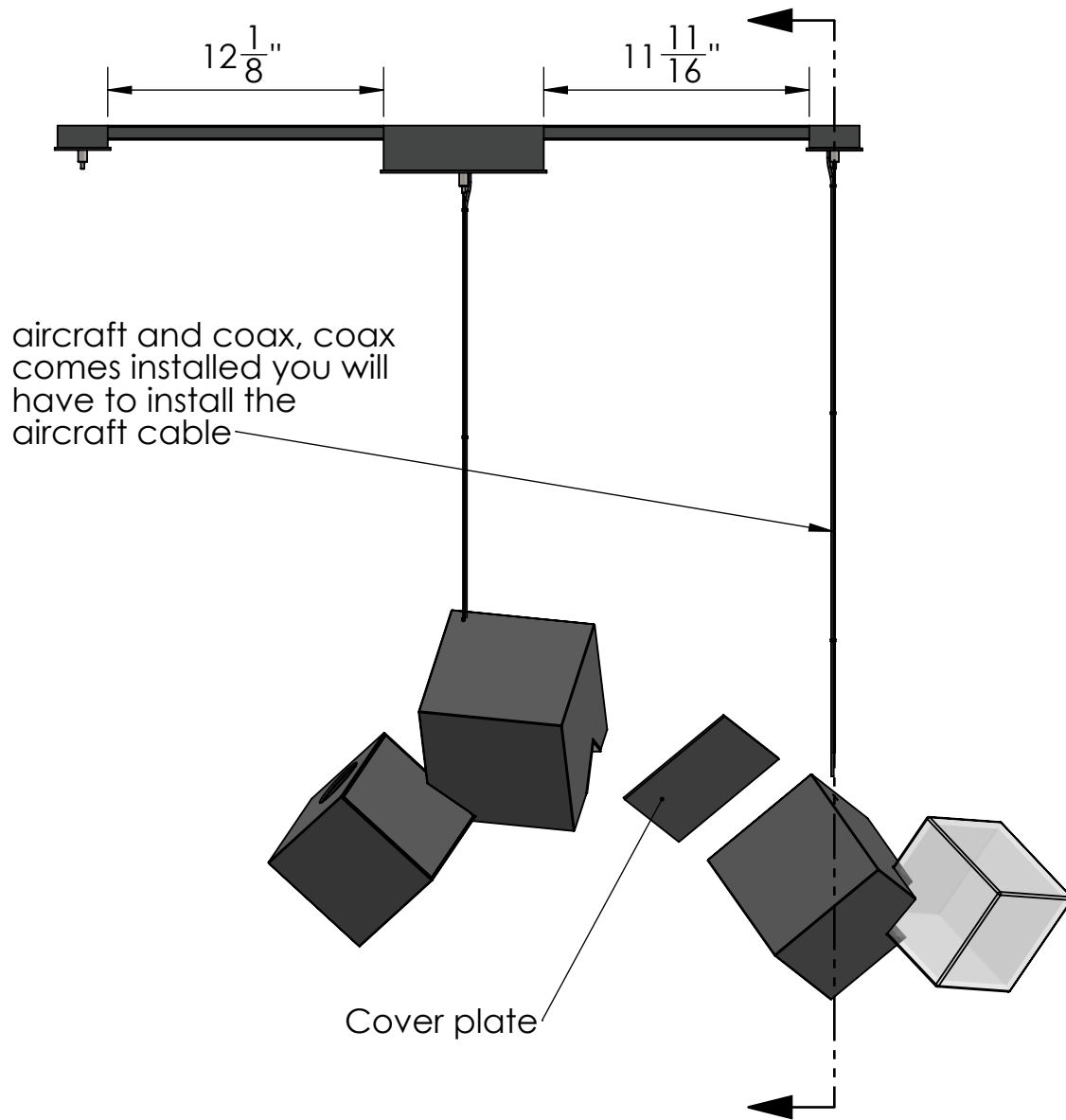
Remove cap from cable grip in cube body and slide onto the cable before installing the cable into the gripper

Install the aircraft cable into the gripper, stop when the mark on the cable is at the top of the gripper here, this will get you close you can adjust after you install the glass if needed.

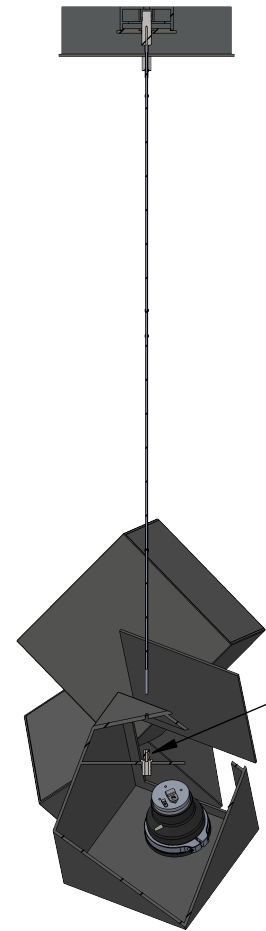


1. to remove the cover plate push on it and it will pop out. it is retained with magnets
2. there is enough room in the cube to store extra coax and aircraft cable
3. adjust location as per instructions on the aircraft cable page.

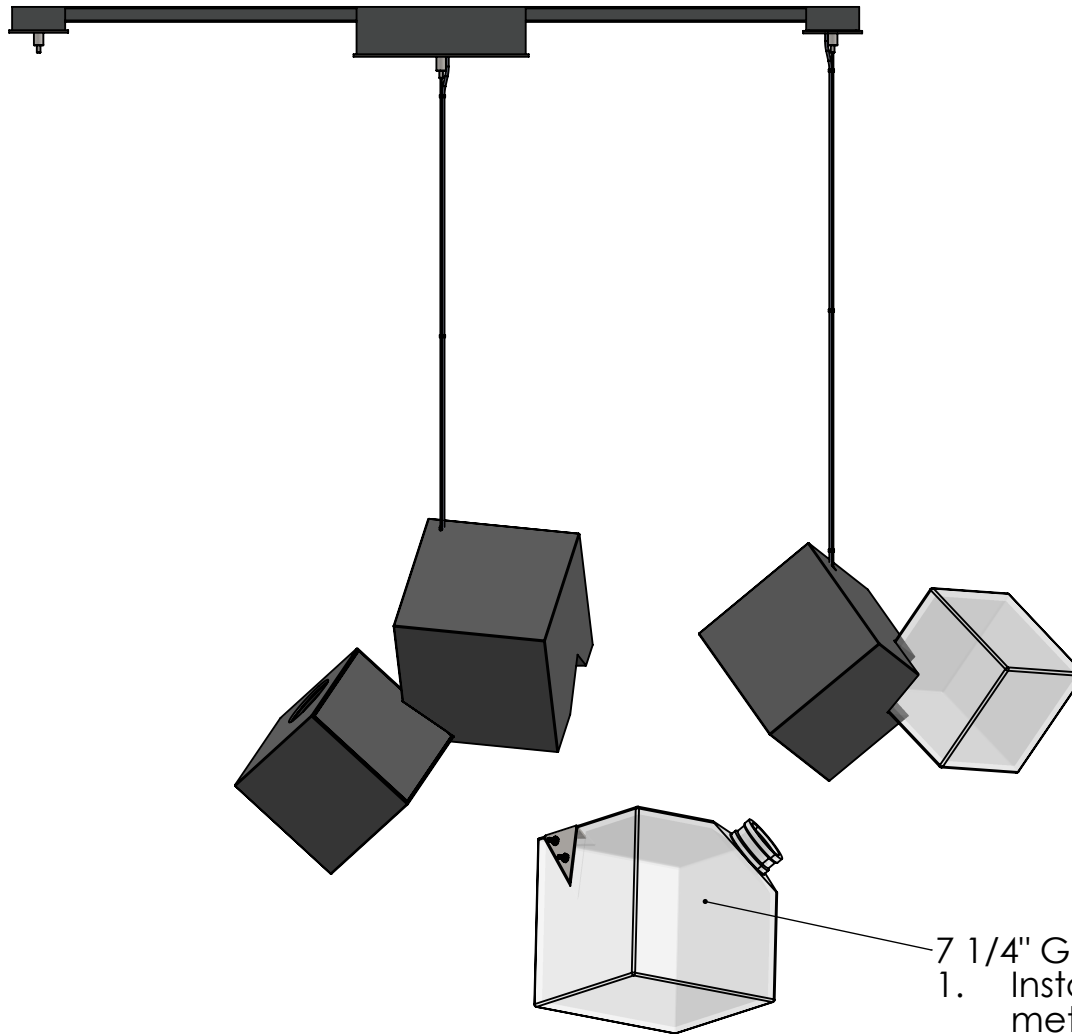
Over All Height	#2 Cube
24	10 $\frac{5}{8}$
30	16 $\frac{5}{8}$
36	22 $\frac{5}{8}$
42	28 $\frac{5}{8}$
48	34 $\frac{5}{8}$
54	40 $\frac{5}{8}$
60	16 $\frac{5}{8}$
66	52 $\frac{5}{8}$
72	58 $\frac{5}{8}$
78	64 $\frac{5}{8}$
84	70 $\frac{5}{8}$



Over All Height	#3 Cube
24	13 1/4
30	19 1/4
36	25 1/4
42	31 1/4
48	37 1/4
54	43 1/4
60	19 1/4
66	55 1/4
72	61 1/4
78	67 1/4
84	73 1/4



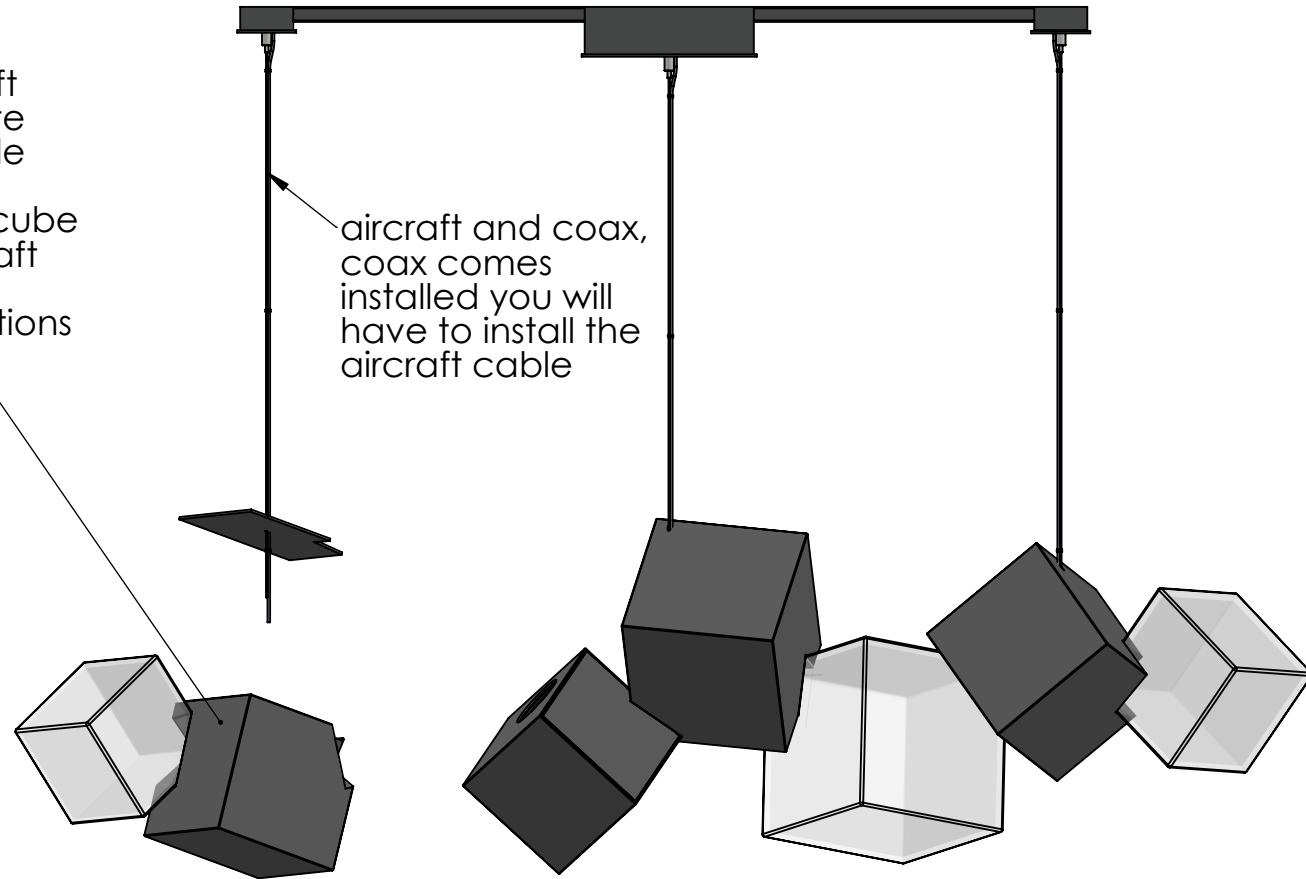
1. To remove the cover plate push on it and it will pop out. it is retained with magnets
2. Attach the 5 3/8" glass cube before installing the aircraft cable
3. There is enough room in the cube to store extra coax and aircraft cable
4. Adjust location as per instructions on the aircraft cable page



7 1/4" Glass:

1. Install the 7 1/4" cube to the 6" metal cube with the supplied soft mount
2. Then using the supplied wrench attach the Glass cube to cube #2
3. Snug the 8-32 nuts and install both cover plates

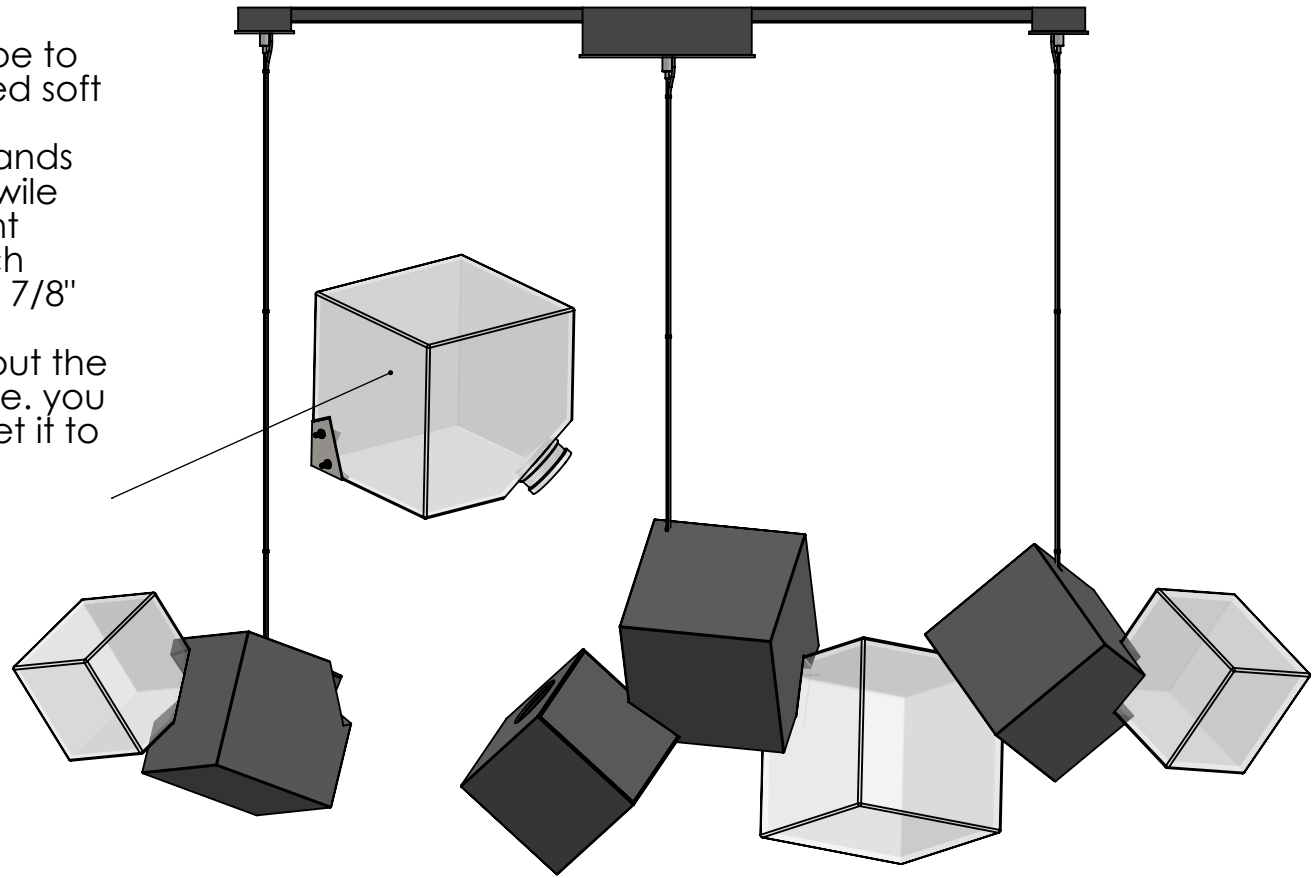
1. To remove the cover plate push on it and it will pop out, it is retained with magnets.
2. Attach the 4 7/8" glass cube before installing the aircraft cable
3. Make sure to feed the Aircraft cable through the cover plate before installing into the cable grip in the cube.
4. There is enough room in the cube to store extra coax and aircraft cable
5. Adjust location as per instructions on the aircraft cable page

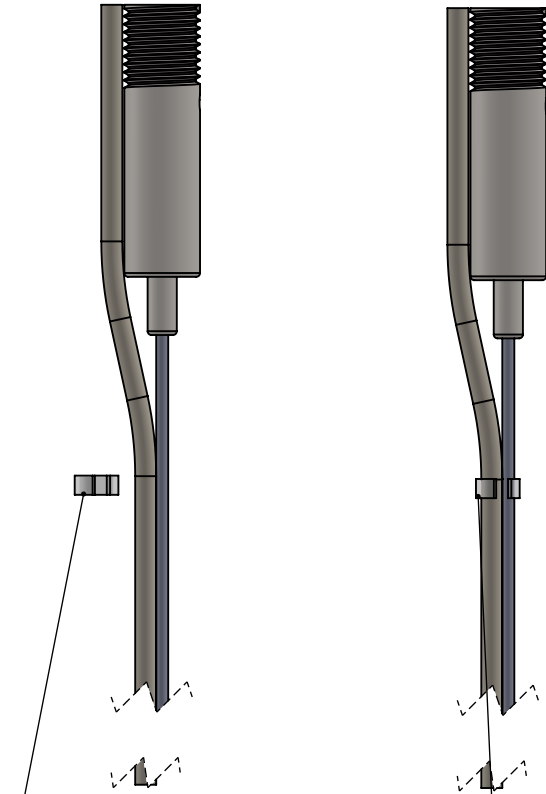


Over All Height	#1 Cube
24	16 5/8
30	22 5/8
36	28 5/8
42	34 5/8
48	40 5/8
54	46 5/8
60	52 5/8
66	58 5/8
72	64 5/8
78	70 5/8
84	76 5/8

7 3/4" Glass:

1. Install the 7 3/4" glass cube to cube #2 with the supplied soft mount
2. Have a second pair of hands hold the cover plate up while you install the hard mount
3. Using the supplied wrench attach the cube to the 5 7/8" cube
4. Snug the 8-32 nuts and put the cover plate back in place. you will have to rotate it to get it to clear the glass
5. Install cover plates





Installing the Cable clip,
install into the Coax cable
the clip onto the Aircraft
cable. Place them every 12"

