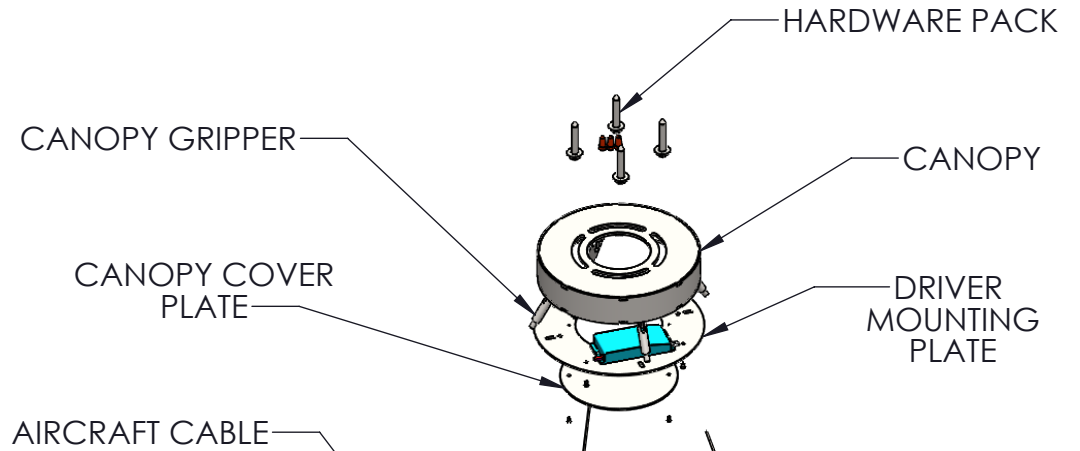
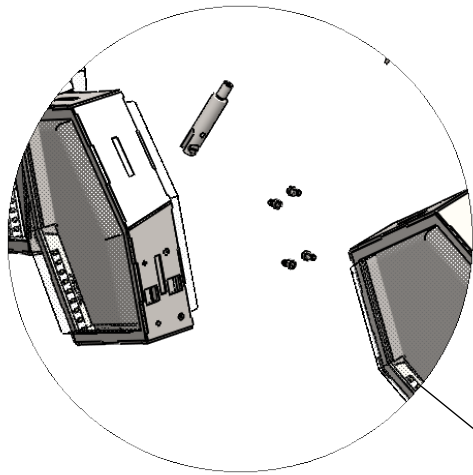
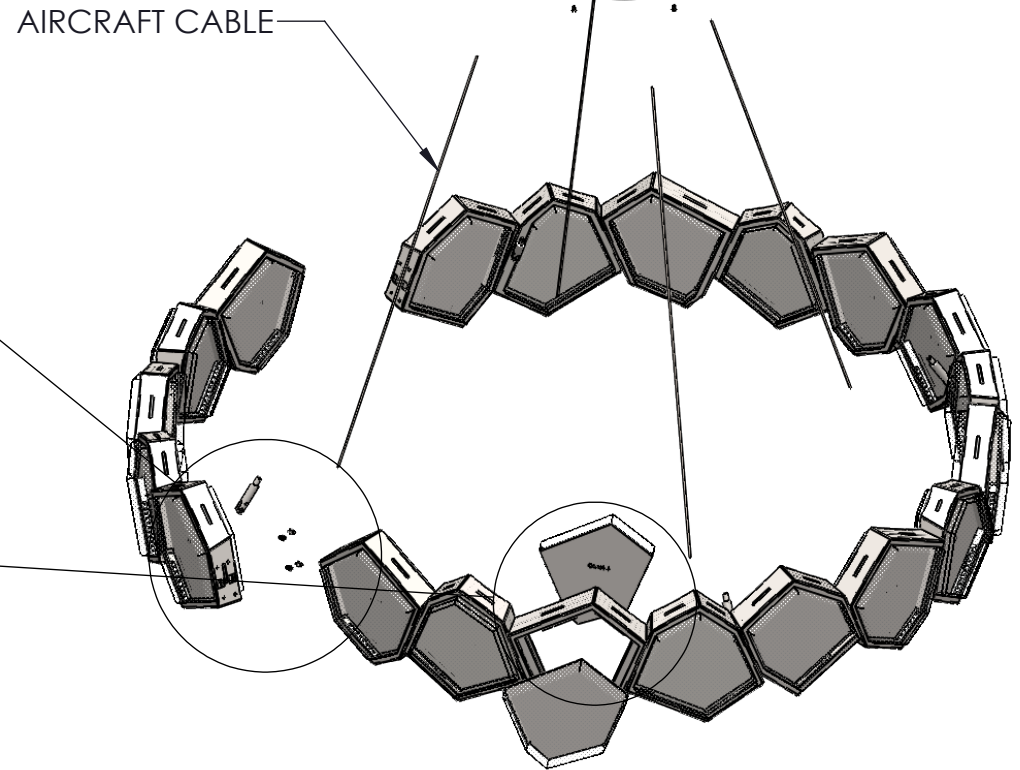
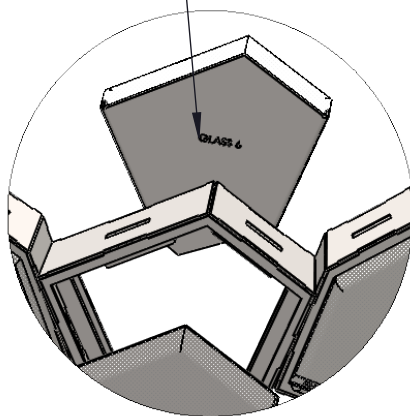


1. REMOVE CANOPY COVER PLATE AND DRIVER MOUNTING PLATE
2. MOUNT CANOPY TO CEILING WITH HARDWARE PACK
3. REATTACH DRIVER MOUNTING PLATE
4. ATTACH CANOPY GRIPPERS TO TABS ON CANOPY
5. ATTACH LIGHT BODY 1/4-RINGS WITH INCLUDED SCREWS
6. ATTACH ASSEMBLED LIGHT BODY TO CANOPY GRIPPERS USING AIRCRAFT CABLE
7. MAKE ELECTRICAL CONNECTIONS
8. REINSTALL CANOPY COVER PLATE
9. SECURE GLASS BACKINGS TO MAGNETS



LABEL RIGHT-SIDE UP



\*ODD-NUMBERED GLASS ON OUTSIDE OF RING\*