



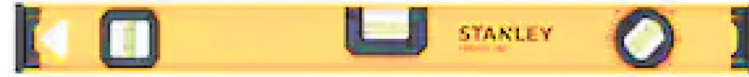
Wire Cutter/stripper



Diagonal wire cutter



Phillips #2



Level



Ratchet with extension and 9/16" socket

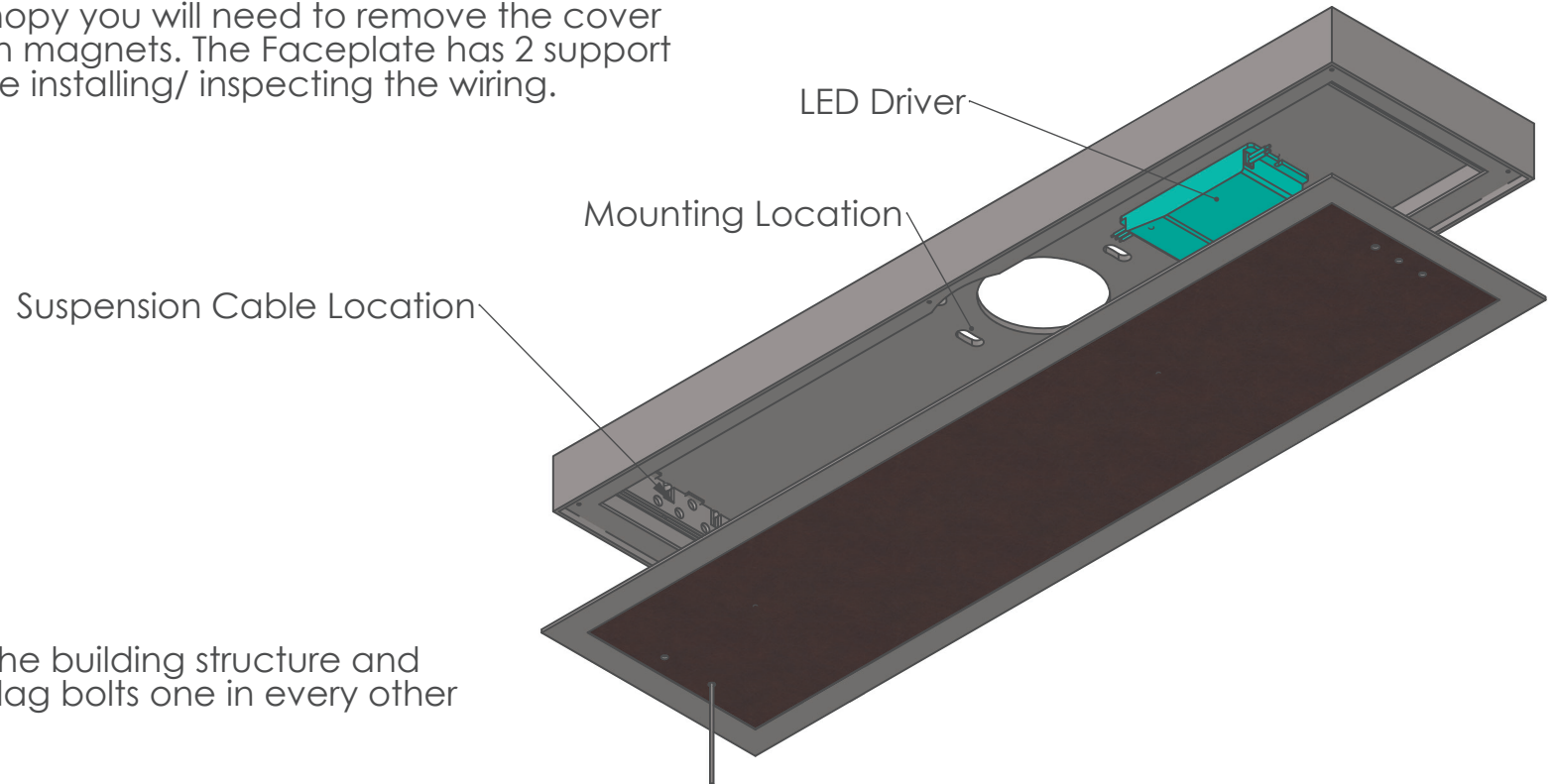


9/32" drill bit

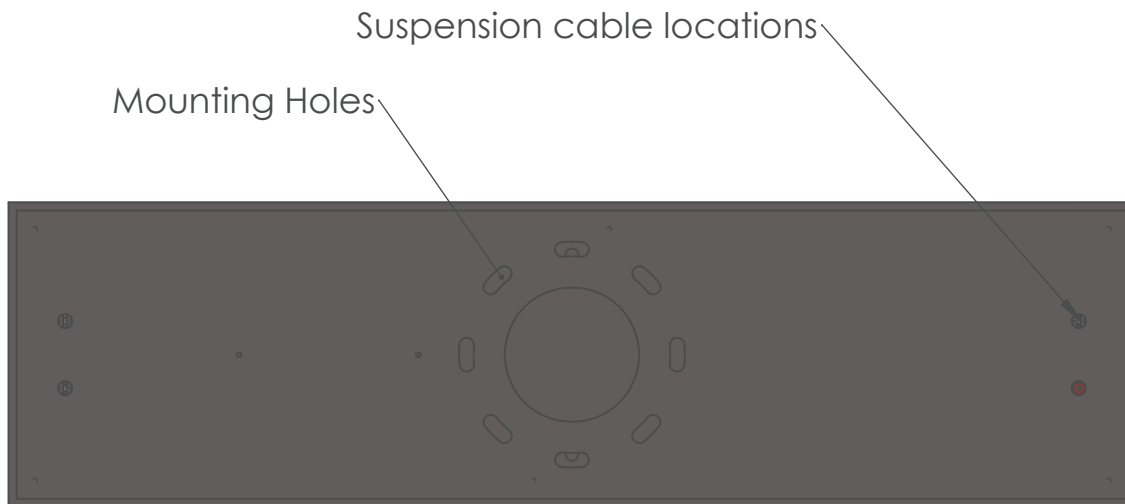


Lube for Lag Bolts-bees wax, paraffin or vegetable oil

Before installing the canopy you will need to remove the cover plate this is retained with magnets. The Faceplate has 2 support cables to hold it up while installing/ inspecting the wiring.

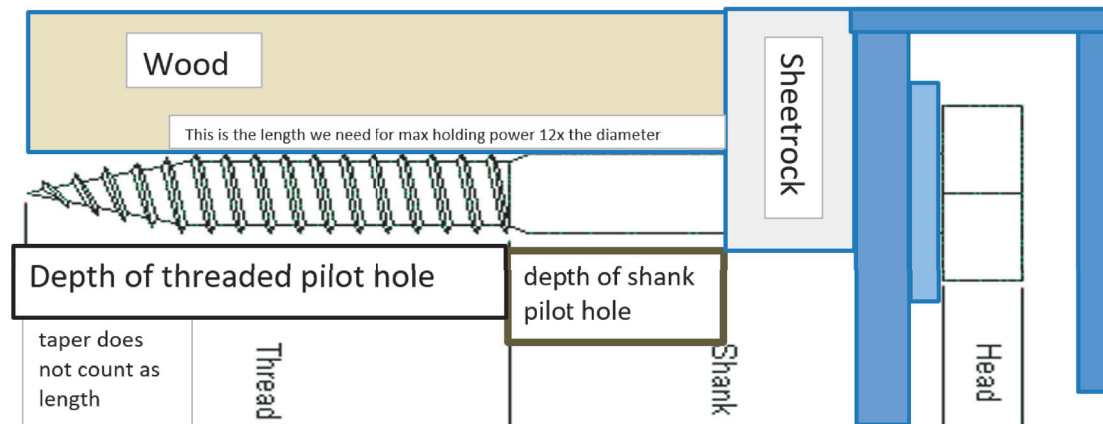


This canopy mounts to the building structure and should have a QTY of 4 lag bolts one in every other mounting hole



Before installing the canopy you will need to install the suspension cables from the backside of the canopy. the cable goes through the hole in the backside and the cable stop fits inside the canopy

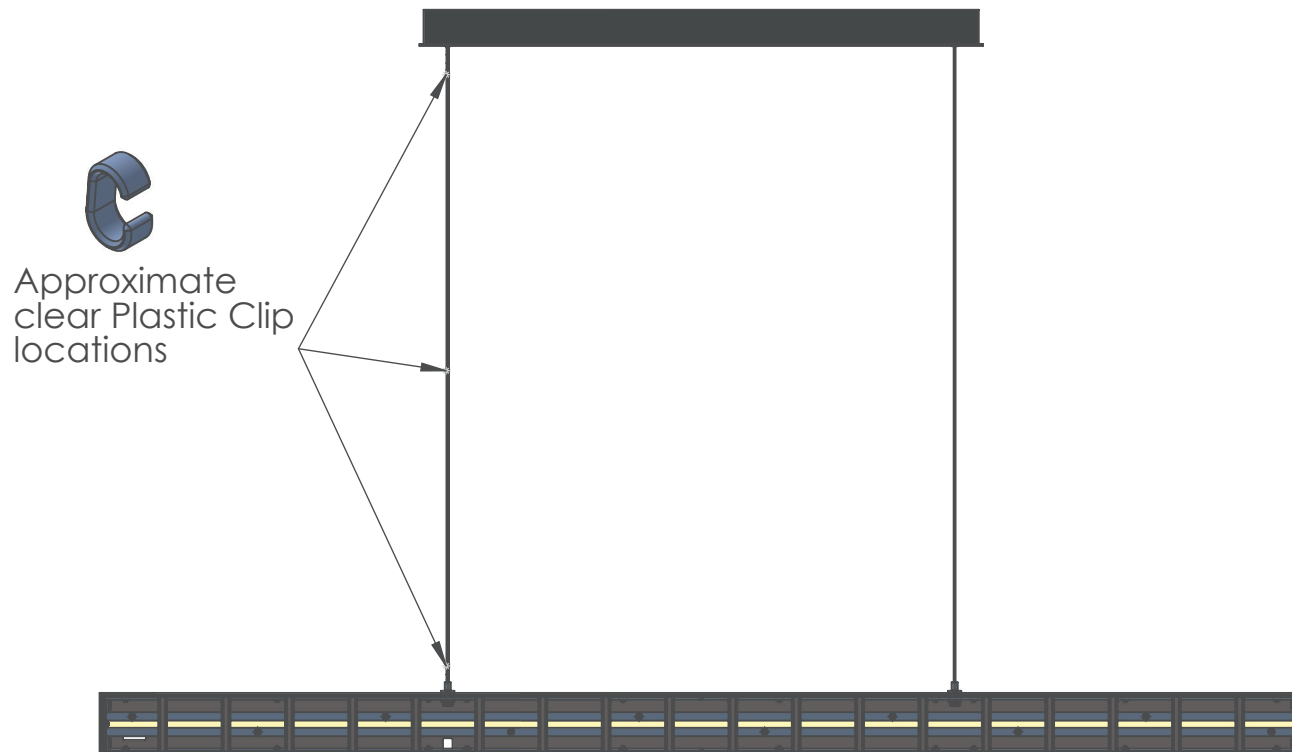
Here is the proper size pilot holes for both hard wood and soft wood. Along with this is a notation to also be sure to drill a larger hole for the shank of the lag screw. The total depth of the shank hole should be equivalent to the exposed length of the shank portion of the lag screw. Some suggest the use of soap on the end of the threaded portion of the lag bolt in order to provide some lubrication to the threads. This is definitely not a good idea, as soap will cause a lag bolt to rust prematurely. If you would like to use a lubricant, bees wax is the best choice (a toilet bowl ring is a good cheap source of wax). If you do not have bees wax readily available, use some vegetable oil.



Lag Screw	Shank Pilot Hole Size	Threaded Pilot Hole	
		Softwood	Hardwood
3/8"	3/8"	9/32"	5/16"

Hanging the Fixture

1. After the canopy is mounted to the ceiling, make the AC wire connections.
2. Adjust the aircraft cable in the gripper to the height wanted and use a level to verify the Fixture body is level before you tighten the thumb nut on the gripper. Trim excess cable with side cutters.
3. Slide the coax cable form the fixture through the wire way hole in the Canopy.
4. Make the DC connection, on the coax the outer wire is the ground and the center wire is the positive. verify on the LED driver what is +/- .
5. Verify the light turns on
6. working from the bottom of the cable use the included clear plastic clips to retain the coax to the aircraft cable.
7. install the canopy cover plate



Glass Installation

1. Remove the End cover plates from the fixture, they are retained with magnets and pull straight off
2. There are 8 small aluminum rods that will retain the glass, slide them out until you can install the first piece of glass, this will be the second one in from the end
3. On the glass cube there are two grooves these should be on the top and bottom, slide the glass into the fixture and push the rod in until it makes it to the next piece of glass.
4. It is suggested when you put one piece of glass on to put one piece on the opposite side to keep the fixture in balance while installing all the glass, the center piece of glass will have a rod from each side holding it in.
5. Slide the end piece's of glass in and install the cover plate.
6. Repeat on other end of fixture.

