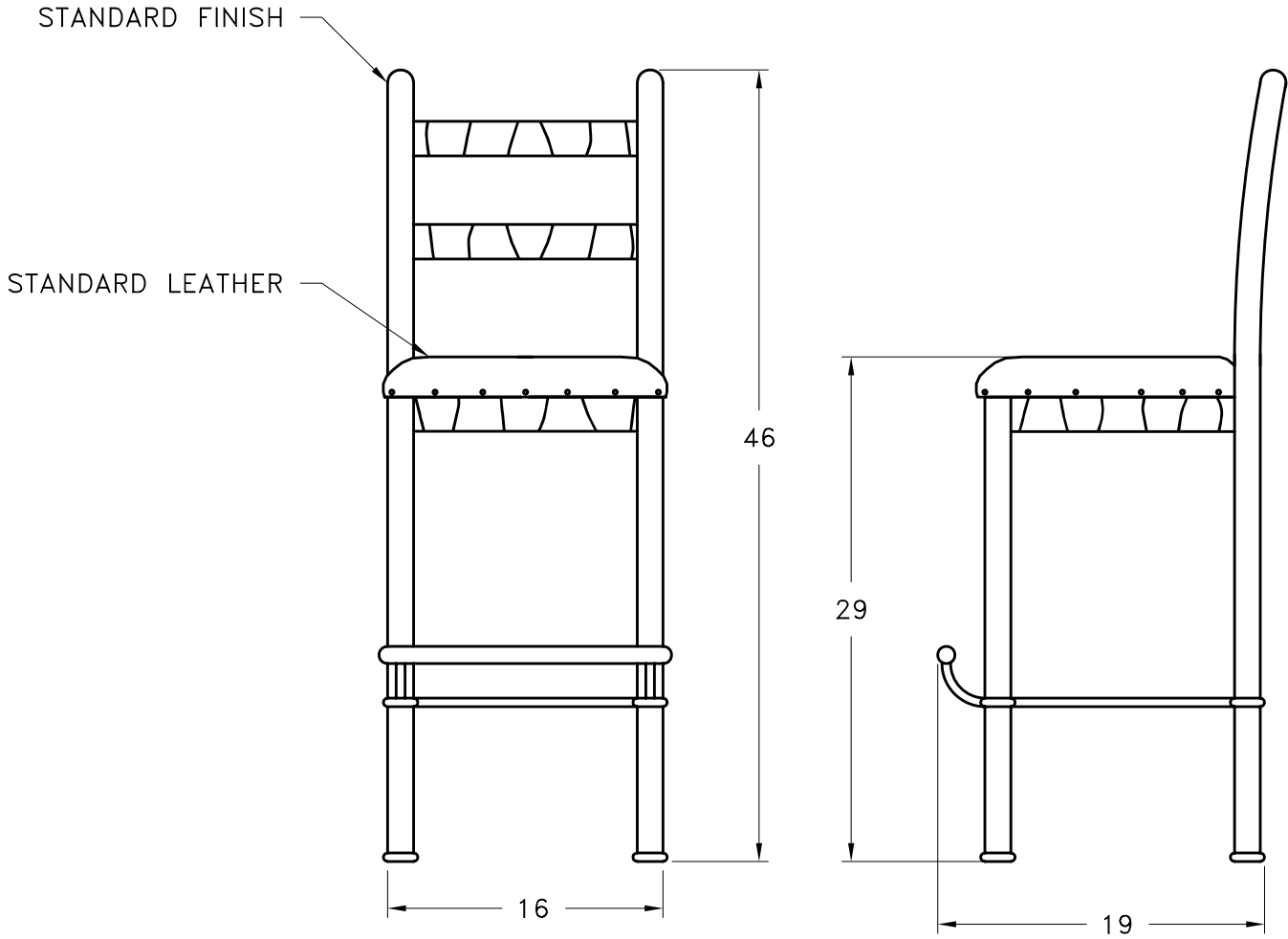


# HAMMERTON



MOUNTING SPECIFICATION NOTES:

ELECTRICAL SPECIFICATION NOTES:

CATALOG # CB5030

APPROXIMATE WEIGHT: 35 Lbs.

HARDWARE PACKET: N/A

SHADE MATERIAL : N/A

UL RATING: N/A

DIMENSION TOLERANCE  $\pm 7/8"$ .

[www.hammerton.com](http://www.hammerton.com)

© Copyright 2006, All rights in design, detail or invention of this drawing are reserved as the property of Hammerton. Any imitation or adaptation without written consent is strictly prohibited.

Light Bulb NOT Included