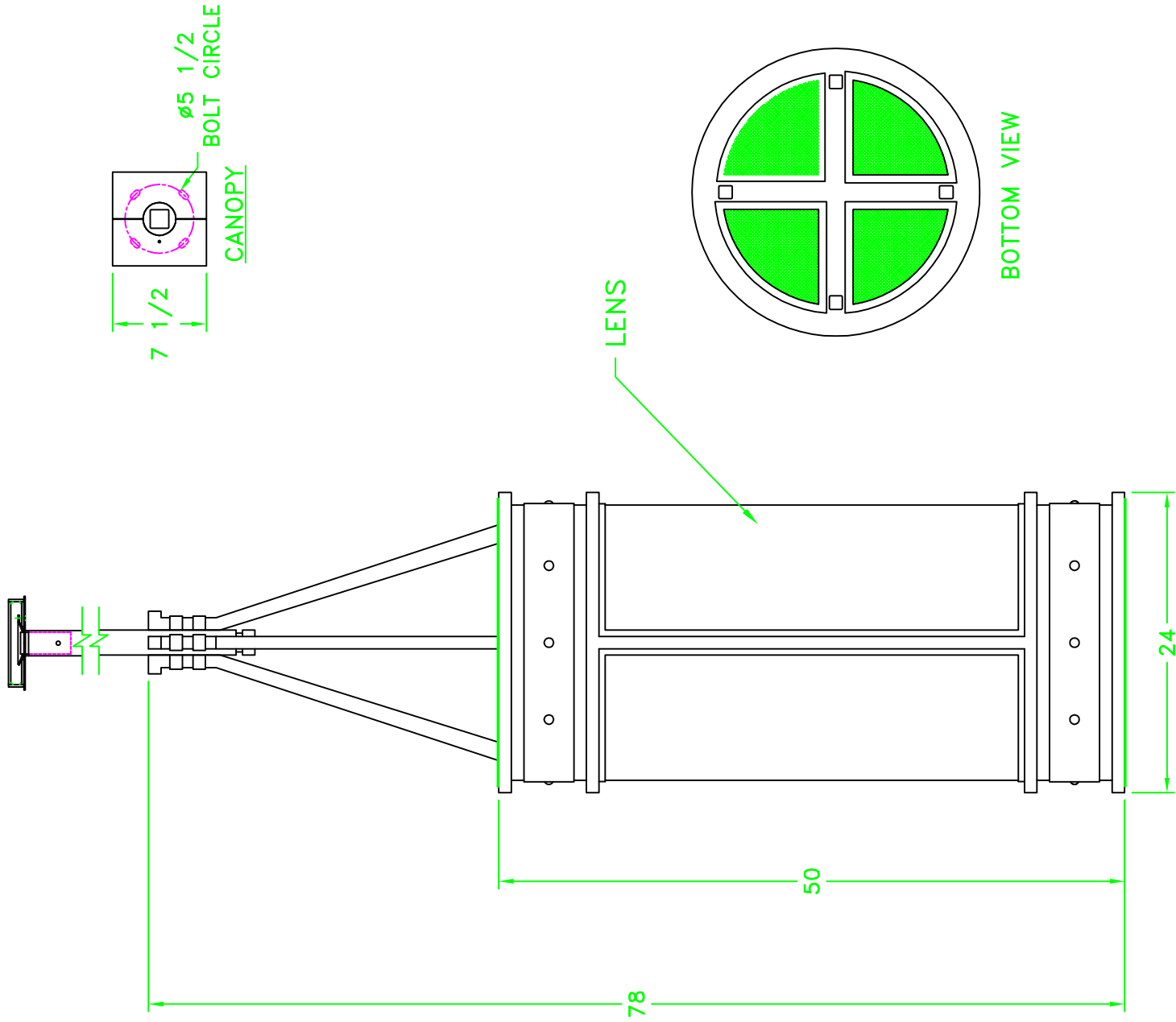


Location:

Product #: CH8091



Visit [hammeron.com](http://www.hammeron.com) for product options and specifications.

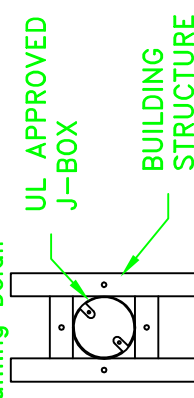
Mounting Style: A	Electrical Type: INCANDESCENT
Approximate lbs.: 195	Bulb Qty: 16 Wattage: 40
Finish: SEE WEB SITE FOR OPTIONS	Voltage: 120
Top Diffuser: FINE MESH	Socket Type: MEDIUM
Bottom Diffuser: SAME AS LENS	UL Location: DRY

All fixtures created by Hammeron are handcrafted by artisans. Dimensions may vary up to 7/8".

©Copyright 2016. All rights in design, detail or invention of this drawing are reserved as the property of Hammeron. Any limitation or adaptation without written consent is strictly prohibited.

Hammeron Inc. · 217 Wright Brothers Dr. · Salt Lake City, UT 84116 · (801) 973-8095

Mounting Detail



CAUTION

HARDWARE PACKET "A"
MOUNTS DIRECTLY TO
BUILDING STRUCTURE.