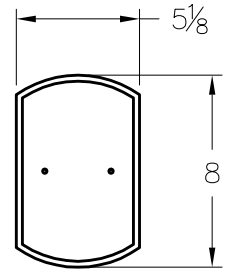
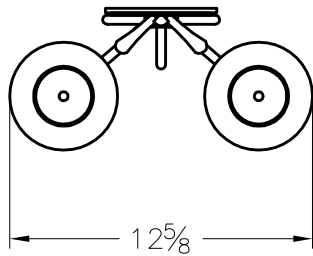
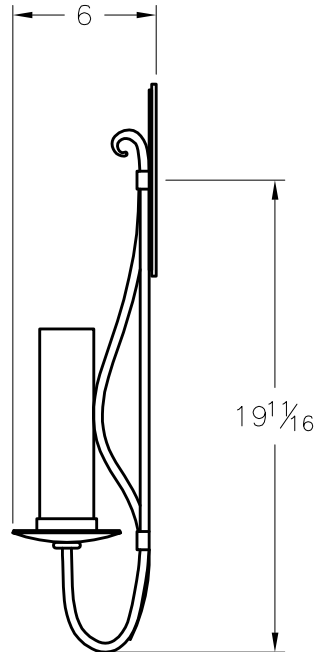
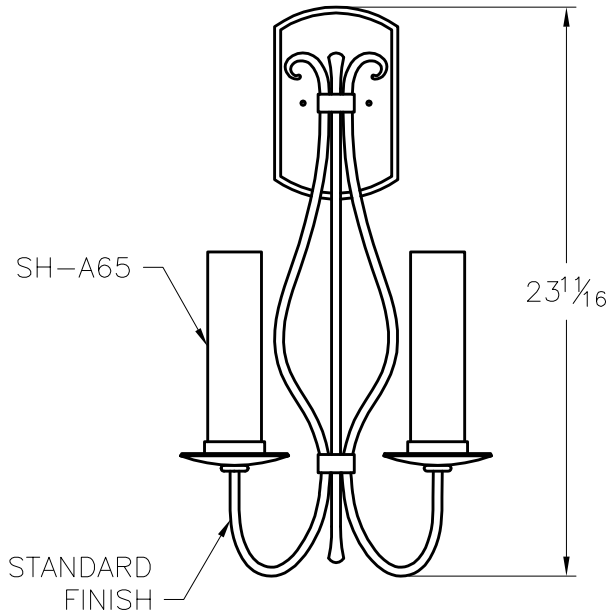


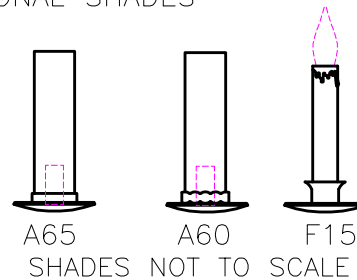
HAMMERTON



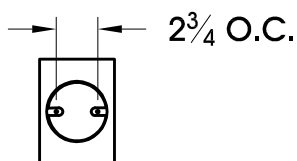
MOUNTING



DRAWN WITH A65
 PRODUCT ALSO AVAILABLE WITH THESE
 ADDITIONAL SHADES-



MOUNTING SPECIFICATION NOTES:



CAUTION
 HARDWARE PACKET "D" MOUNTS
 DIRECTLY TO J-BOX.

ELECTRICAL SPECIFICATION NOTES:



ELECTRICAL: 2 -60 WATT MAX
CANDELABRA BASE
 120v TYPICAL
 LIGHT BULB NOT INCLUDED

CATALOG # ID9234

APPROXIMATE WEIGHT: 15 Lbs.

HARDWARE PACKET: D

SHADE OPTIONS :A65, A60, F15

UL RATING: DRY

All of the fixtures created by Hammerton are hand
 crafted by artisans-dimensions may vary.

©Copyright 2010: All rights in design, detail or invention
 of this drawing are reserved as the property of
 Hammerton. Any limitation or adaptation without written
 consent is strictly prohibited.

www.hammerton.com