

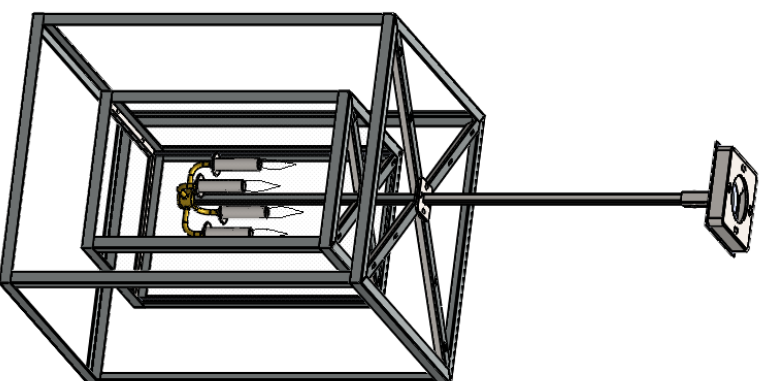
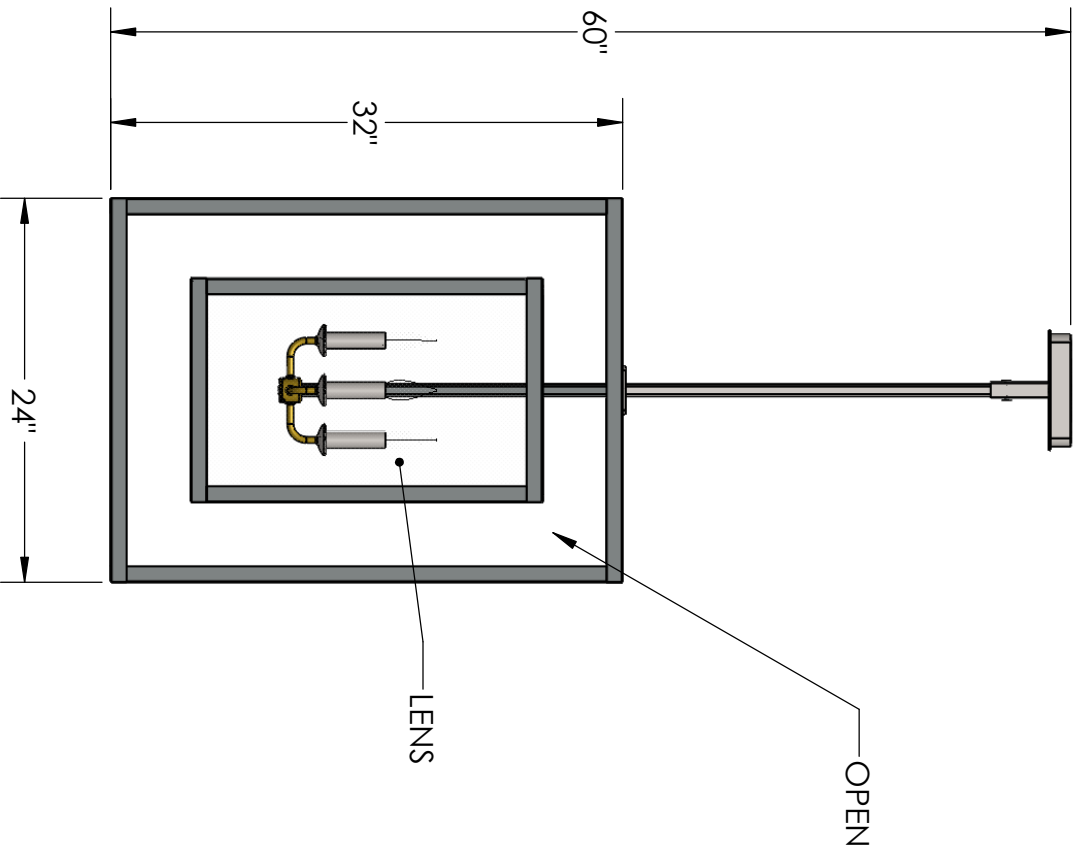
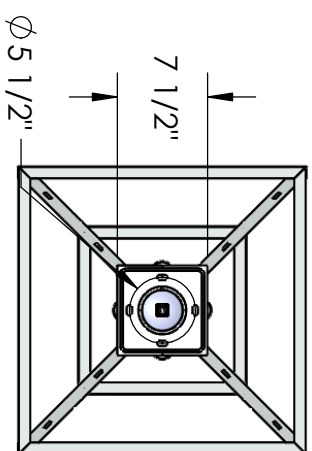
HAMMERTON

SPECIFICATION DRAWING

Approved By:

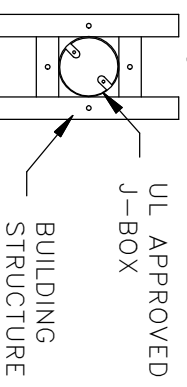
Product #: LA2295

Date:10/7/2016



Mounting Style: FLAT	Electrical Type: INCANDESCENT
Approximate lbs.: 68	Bulb Qty: 4 Wattage: 60
Finish:SEE WEBSITE FOR OPTIONS	Voltage:120
Top Diffuser: OPEN	Socket Type:SMALL
Bottom Diffuser:OPEN	UL Location: DRY

Mounting Detail



CAUTION

HARDWARE PACKET "A"
MOUNTS DIRECTLY TO BUILDING STRUCTURE.

All fixtures created by Hammeron are handcrafted by artisans—dimensions may vary.

© Copyright 2015. All rights in design, detail or invention of this drawing are reserved as the property of Hammeron. Any imitation or adaptation without written consent is strictly prohibited.

Hammeron Inc. • 217 Wright Brothers Dr. Salt Lake City, UT 84116 (801) 973-8095