

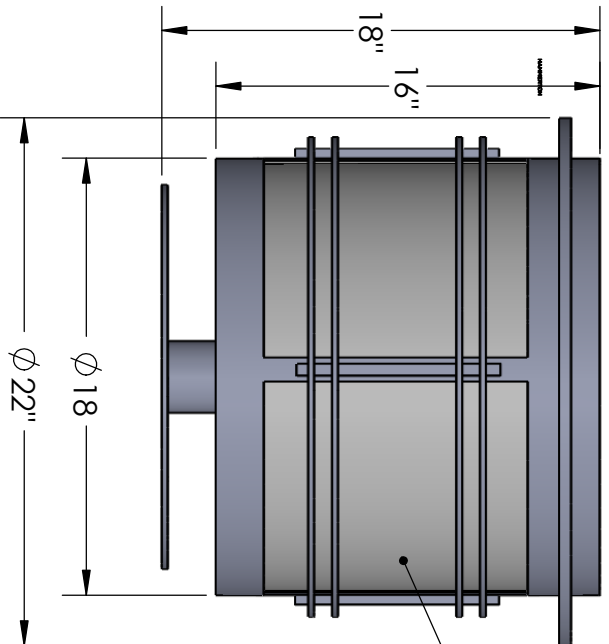
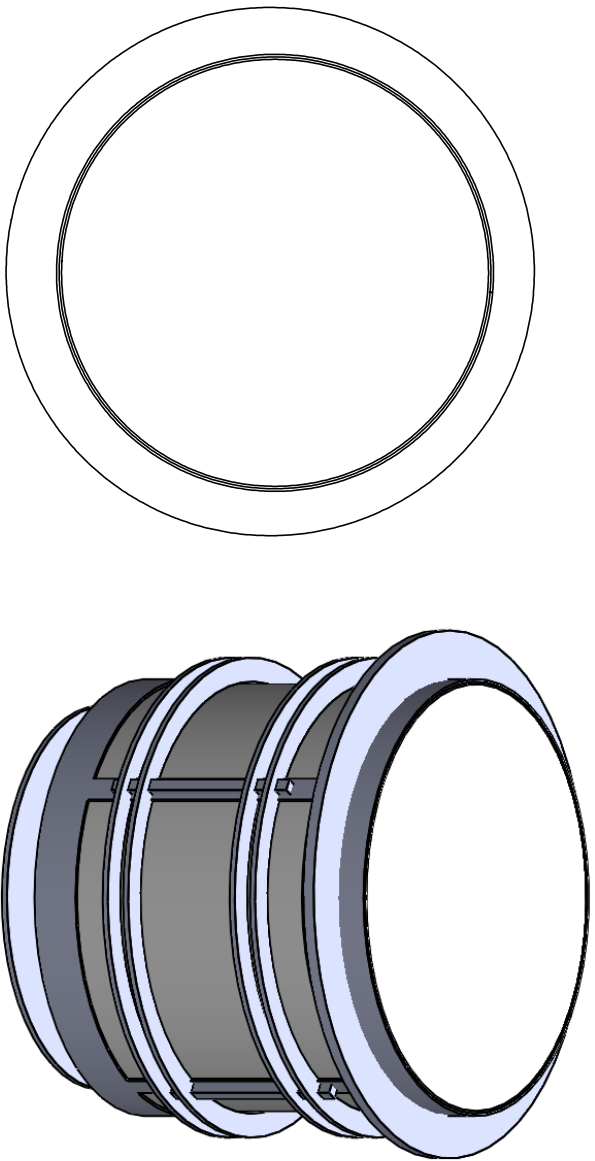
HAMMERTON

SPECIFICATION DRAWING

Approved By:

Product #: OD2294

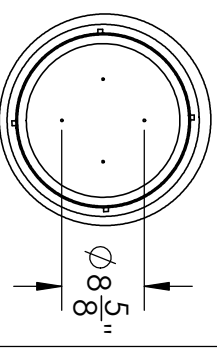
Date: 2/28/2017



SEALED
LIGHT MICA

Mounting Style: CUSTOM	Electrical Type: INCANDESCENT
Approximate lbs.: 40	Bulb Qty: 4 Wattage: 60
Finish: SEE WEB SITE FOR OPTIONS	Voltage: 120
Top Diffuser: CLOSED	Socket Type: MEDIUM
Bottom Diffuser: NA	UL Location: WET

Mounting Detail



PIER/POST MOUNT

All fixtures created by Hammerton are hand-drafted by artisans--dimensions may vary.

Copyright 2018. All rights in design, detail or invention of this drawing are reserved as the property of Hammerton. Any imitation or adaptation without written consent is strictly prohibited.

Hammerton Inc., 217 Wright Brothers Dr., Salt Lake City, UT 84116 (801) 973-8095