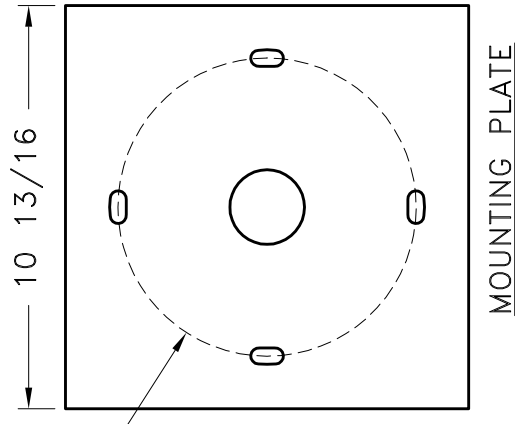


HAMMERTON

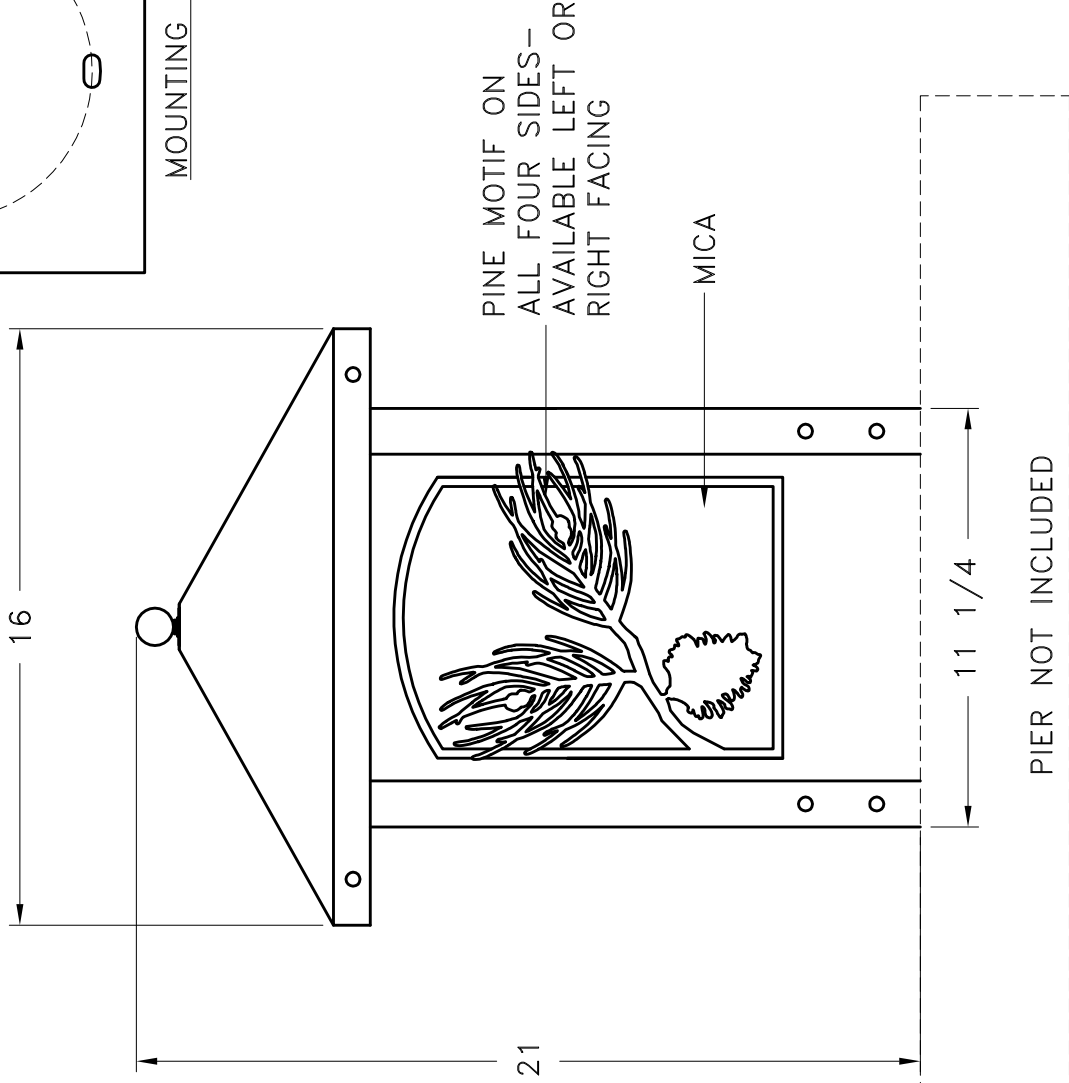
SPECIFICATION DRAWING

Location:

Product #: OD6034



∅8
BOLT
CIRCLE



FIXTURE CONSTRUCTED OUT OF ALUMINUM

Visit hammertron.com for product options.

Mounting Packet: PIER MOUNT	Electrical Type: INCANDESCENT
Approximate lbs.: 30	Bulb Qty: 1 Wattage: 75
Finish: SEE WEB SITE FOR OPTIONS	Voltage: 120
Top Diffuser: CLOSED STEEL CAP	Socket Type: E26
Bottom Diffuser: N/A	UL Location: WET

Mounting Detail

SEE MOUNTING
DETAIL ABOVE

All fixtures created by Hammertron are handcrafted by artisans. Dimensions may vary up to 7/8".

©Copyright 2018. All rights in design, detail or invention of this drawing are reserved as the property of Hammertron. Any limitation or adaptation without written consent is strictly prohibited.

Hammertron Inc. · 217 Wright Brothers Dr. · Salt Lake City, UT 84116 · (801) 973-8095