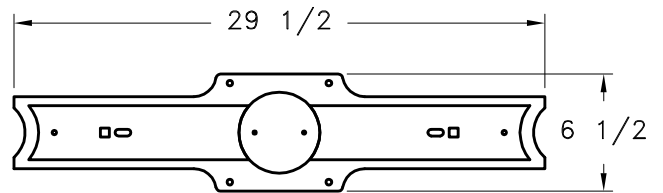
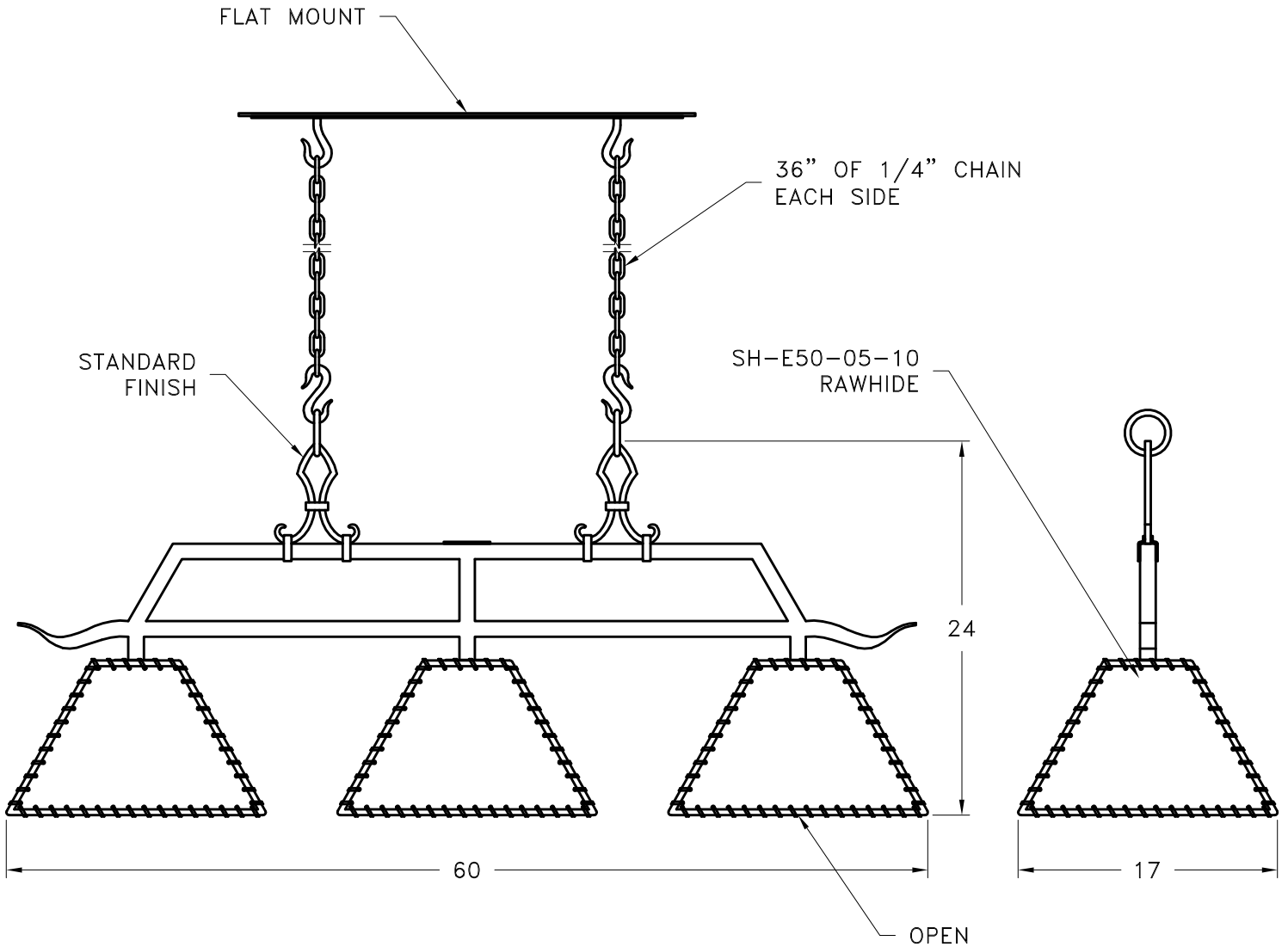


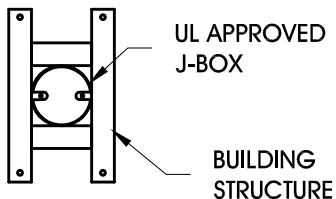
HAMMERTON



MOUNTING PLATE



MOUNTING SPECIFICATION NOTES:



CAUTION
HARDWARE PACKET "B" MOUNTS DIRECTLY TO BUILDING STRUCTURE.

ELECTRICAL SPECIFICATION NOTES:



**ELECTRICAL: 3-100 WATT MAX
EDISON BASE
120v TYPICAL**

CATALOG # PL5011

APPROXIMATE WEIGHT: 55 Lbs.

HARDWARE PACKET: B

SHADE : RAWHIDE

UL RATING: DRY

All of the fixtures created by Hammerton are hand crafted by artisans-dimensions may vary.

©Copyright 2010: All rights in design, detail or invention of this drawing are reserved as the property of Hammerton. Any limitation or adaptation without written consent is strictly prohibited.

www.hammerton.com